

DAVICOM Semiconductor, Inc.

DM9161B

10/100 Mbps Fast Ethernet

Physical Layer Single Chip Transceiver

DATA SHEET

Final

Version: DM9161B-DS-F01

January 31, 2008



Table of Contents

| | | | |
|--|----|---|----|
| 1. General Description..... | 3 | 8.1 Basic Mode Control Register (BMCR) - 00..... | 24 |
| 2. Features | 3 | 8.2 Basic Mode Status Register (BMSR) - 01..... | 25 |
| 3. Block Diagram | 4 | 8.3 PHY ID Identifier Register #1 (PHYIDR1) - 02..... | 26 |
| 4. Pin Configuration:..... | 5 | 8.4 PHY ID Identifier Register #2 (PHYIDR2) - 03..... | 26 |
| 5. Pin Description | 6 | 8.5 Auto-negotiation Advertisement Register (ANAR) - 04 | 27 |
| 5.1 Normal MII Interface, 21 pins | 6 | 8.6 Auto-negotiation Link Partner Ability Register (ANLPAR) - 0528 | |
| 5.2 Media Interface, 4 pins | 8 | 8.7 Auto-negotiation Expansion Register (ANER) - 06 | 29 |
| 5.3 LED Interface, 3 pins | 8 | 8.8 DAVICOM Specified Configuration Register (DSCR) -16..... | 29 |
| 5.4 Mode, 2 pins | 8 | 8.9 DAVICOM Specified Configuration and Status Register (DSCSR) - 17 | 31 |
| 5.5 Bias and Clock, 4 pins | 9 | 8.10 10Base-T Configuration / Status (10BTCR) - 18..... | 32 |
| 5.6 Power, 13 pins..... | 9 | 8.11 DAVICOM Specified Interrupt Register - 21..... | 32 |
| 5.7 Table of Media Type Selection | 9 | 8.12 DAVICOM Specified Receive Error Counter Register (RECR) - 22..... | 33 |
| 5.8 Pin Maps of Normal MII, Reduced MII, and 10Base-T GPSP (7-Wired) Mode | 10 | 8.13 DAVICOM Specified Disconnect Counter Register (DISCR) - 23..... | 33 |
| 6. LED Configuration | 11 | 8.14 DAVICOM Hardware Reset Latch State Register (RLSR) - 24 | 34 |
| 6.1 LED Functional Description..... | 12 | 8.17 Power Saving Control Register (PSCR) - 29..... | 34 |
| 7. Functional Description | 13 | 9. DC and AC Electrical Characteristics | |
| 7.1 MII interface | 13 | 9.1 Absolute Maximum Ratings (25°C)..... | 35 |
| 7.2 100Base-TX Operation | 15 | 9.2 Operating Conditions | 35 |
| 7.2.1 100Base-TX Transmit..... | 15 | 9.3 DC Electrical Characteristics | 36 |
| 7.2.1.1 4B5B Encoder | 16 | 9.4 AC Electrical Characteristics & Timing Waveform | 36 |
| 7.2.1.2 Scrambler | 16 | 9.4.1 TP Interface | 36 |
| 7.2.1.3 Parallel to Serial Converter..... | 16 | 9.4.2 Oscillator/Crystal Timing..... | 36 |
| 7.2.1.4 NRZ to NRZI Encoder | 16 | 9.4.3 Power On Reset Timing..... | 37 |
| 7.2.1.5 MLT-3 Converter | 16 | 9.4.4 MDC/MDIO Timing | 37 |
| 7.2.1.6 MLT-3 Driver..... | 16 | 9.4.5 MDIO Timing when OUTPUT by STA | 37 |
| 7.2.1.7 4B5B Code Group | 17 | 9.4.6 MDIO Timing when OUTPUT by DM9161B | 37 |
| 7.2.2 100Base-TX Receiver | 18 | 9.4.7 100Base-TX Transmit Timing Parameters | 38 |
| 7.2.2.1 Signal Detect | 18 | 9.4.8 100Base-TX Transmit Timing Diagram | 38 |
| 7.2.2.2 Adaptive Equalizer..... | 18 | 9.4.9 100Base-TX Receive Timing Parameters | 38 |
| 7.2.2.3 MLT-3 to NRZI Decoder | 18 | 9.4.10 MII 100Base-TX Receive Timing Diagram | 39 |
| 7.2.2.4 Clock Recovery Module..... | 18 | 9.4.11 MII 10Base-T Nibble Transmit Timing Parameters | 39 |
| 7.2.2.5 NRZI to NRZ | 18 | 9.4.12 MII 10Base-T Nibble Transmit Timing Diagram..... | 39 |
| 7.2.2.6 Serial to Parallel | 18 | 9.4.13 MII 10Base-T Receive Nibble Timing Parameters | 40 |
| 7.2.2.7 Descrambler | 18 | 9.4.14 MII 10Base-T Receive Nibble Timing Diagram..... | 40 |
| 7.2.2.8 Code Group Alignment..... | 18 | 9.4.15 Auto-negotiation and Fast Link Pulse Timing Parameters40 | |
| 7.2.2.9 4B5B Decoder | 18 | 9.4.16 Auto-negotiation and Fast Link Pulse Timing Diagram | 41 |
| 7.2.3 10Base-T Operation | 18 | 9.4.17 RMII Receive Timing Diagram..... | 41 |
| 7.2.4 Collision Detection | 19 | 9.4.18 RMII Transmit Timing Diagram..... | 41 |
| 7.2.5 Carrier Sense | 19 | 9.4.19 RMII Timing Diagram..... | 42 |
| 7.2.6 Auto-Negotiation..... | 19 | 9.4.20 RMII Timing Parameter | 42 |
| 7.2.7 MII Serial Management | 20 | 9.4.21 Magnetics Selection Guide..... | 43 |
| 7.2.8 Serial Management Interface | 20 | 10. Package Information..... | 44 |
| 7.2.9 Management Interface – Read Frame Structure | 20 | 11. Order Information..... | 45 |
| 7.2.10 Management Interface – Write Frame Structure | 20 | | |
| 7.2.11 Power Reduced Mode | 21 | | |
| 7.2.12 Power Down Mode | 21 | | |
| 7.2.13 Reduced Transmit Power Mode..... | 21 | | |
| 7.2.14 Feedback Vout and Vin for 5V..... | 21 | | |
| 7.3 HP Auto-MDIX Functional Description..... | 22 | | |
| 8. MII Register Description | 23 | | |



1. General Description

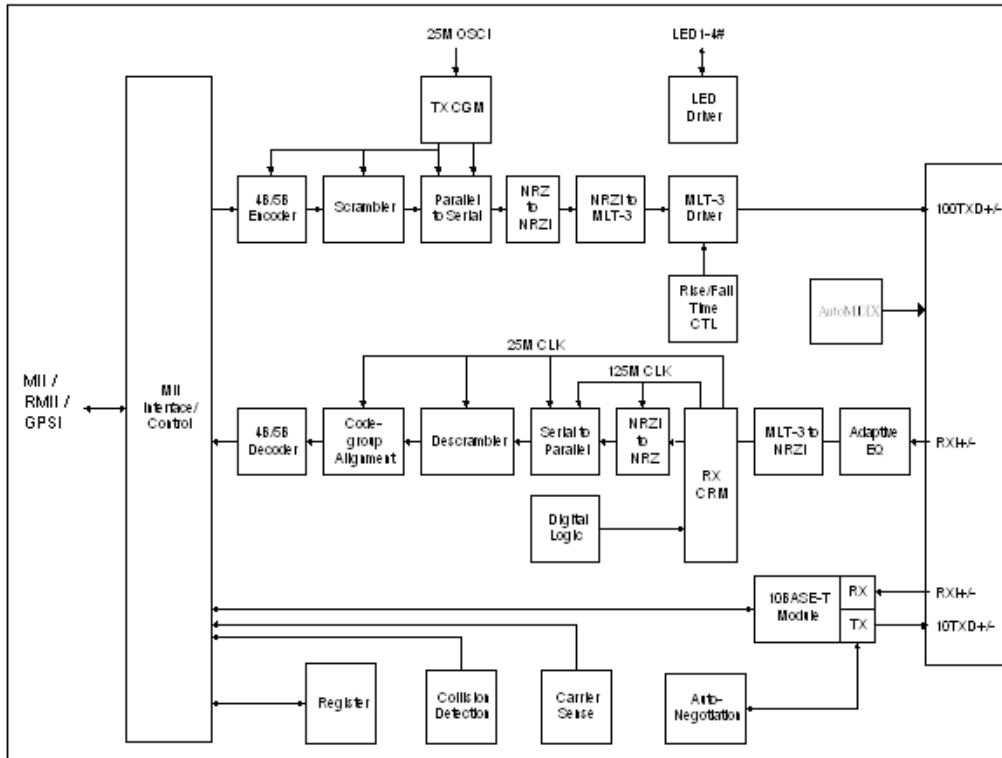
The DM9161B is a physical layer, single-chip, and low power transceiver for 100BASE-TX and 10BASE-T operations. On the media side, it provides a direct interface either to Unshielded Twisted Pair Category 5 Cable (UTP5) for 100BASE-TX Fast Ethernet, or UTP5/UTP3 Cable for 10BASE-T Ethernet. Through the Media Independent Interface (MII), the DM9161B connects to the Medium Access Control (MAC) layer, ensuring a high inter operability from different vendors. The DM9161B uses a low power and high performance advanced CMOS process. It contains the entire

physical layer functions of 100BASE-TX as defined by IEEE802.3u, including the Physical Coding Sub layer (PCS), Physical Medium Attachment (PMA), Twisted Pair Physical Medium Dependent Sub layer (TP-PMD), 10BASE-TX Encoder/Decoder (ENC/DEC), and Twisted Pair Media Access Unit (TPMAU). The DM9161B provides a strong support for the auto-negotiation function, utilizing automatic media speed and protocol selection. Furthermore, due to the built-in wave shaping filter, the DM9161B needs no external filter to transport signals to the media in 100BASE-TX or 10BASE-T Ethernet operation.

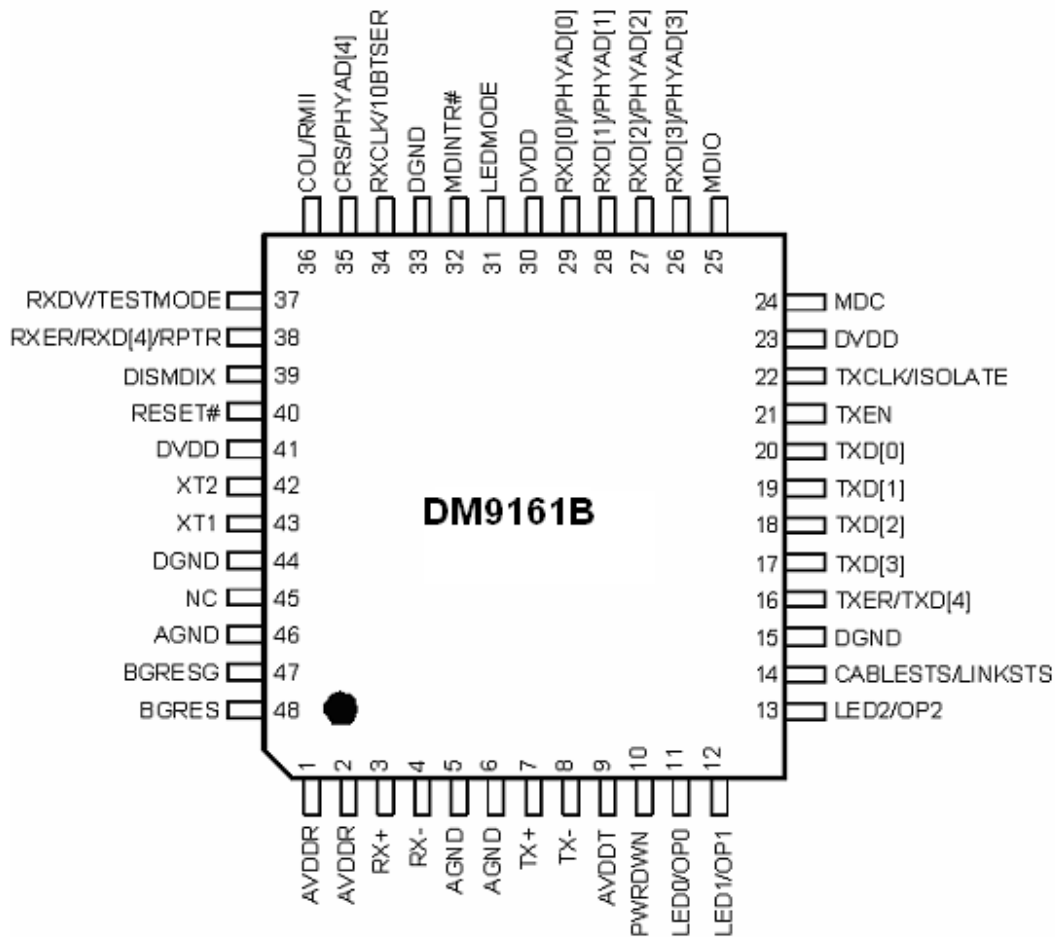
2. Features

- Fully comply with IEEE 802.3 / IEEE 802.3u 10Base-T/ 100Base-TX, ANSI X3T12 TP-PMD 1995 standard
- Support HP MDI/MDI-X auto crossover function (HP Auto-MDIX)
- Support Auto-Negotiation function, compliant with IEEE 802.3u
- Fully integrated Physical layer transceiver On-chip filtering with direct interface to magnetic transformer
- Selectable repeater or node mode
- Selectable MII or RMII (Reduced MII) mode for 100Base-TX and 10Base-TX. Selectable MII or GPSSI (7-Wired) mode for 10Base-T
- Selectable full-duplex or half-duplex operation
- MII management interface with maskable interrupt output capability
- Provide Loopback mode for easy system diagnostics
- LED status outputs indicate Link/ Activity, Speed10/100 and Full-duplex/Collision. Support Dual-LED optional control
- Single low power Supply of 3.3V with an advanced CMOS technology
- Very Low Power consumption modes:
 - Power Reduced mode (cable detection)
 - Power Down mode
 - Selectable TX drivers for 1:1 or 1.25:1 transformers for additional power reduction. 1: 1 transformers only when HP Auto-MDIX Enable.
- Compatible with 3.3V and 5.0V tolerant I/Os
- Pin to pin Compatible with DM9161A.
- DSP architecture PHY Transceiver.
- 48-pin LQFP 0.18um process

3. Block Diagram



4. Pin Configuration:





5. Pin Description

I: Input, O: Output, LI: Latch input when power-up/reset, Z: Tri-State output, U: Pulled high D: Pulled low

5.1 Normal MII Interface, 21 pins

| Pin No. | Pin Name | I/O | Description |
|-------------|-------------------------|-----------------------|--|
| 16 | TXER/TXD [4] | I | Transmit Error/The Fifth TXD Data Bit In 100Mbps mode, when the signal indicates active high and TXEN is active, the HALT symbol substitutes the actual data nibble. In 10Mbps, the input is ignored In bypass mode (bypass BP4B5B), TXER becomes the TXD [4] pin, the fifth TXD data bit of the 5B symbol |
| 20,19,18,17 | TXD [0:3] | I | Transmit Data 4-bit nibble data inputs (synchronous to the TXCLK) when in 10/100Mbps nibble mode. In 10Mbps GPSI (7-Wired) mode, the TXD [0] pin is used as the serial data input pin, and TXD [1:3] are ignored. |
| 21 | TXEN | I | Transmit Enable Active high indicates the presence of valid nibble data on the TXD [0:3] for both 100Mbps and 10Mbps nibble modes. In 10Mbps GPSI (7-Wired) mode, active high indicates the presence of valid 10Mbps data on TXD [0]. |
| 22 | TXCLK/ ISOLATE | O, Z, LI (D) | Transmit Clock The transmitting clock provides the timing reference for the transfer of the TXEN, TXD, and TXER. TXCLK is provided by the PHY 25MHz in 100Mbps nibble mode, 2.5MHz in 10Mbps nibble mode, 10MHz in 10Mbps GPSI (7-Wired) mode ISOLATE Setting: (When power up reset, latch input) 0: Reg 0.10 will be initialized to "0". (Ref.to 8.1 Basic Control Register) 1: Reg 0.10 will be initialized to "1". |
| 24 | MDC | I | Management Data Clock Synchronous clock for the MDIO management data. This clock is provided by management entity, and it is up to 2.5MHz |
| 25 | MDIO | I/O | Management Data I/O Bi-directional management data which may be provided by the station management entity or the PHY |
| 29,28,27,26 | RXD[0:3] /PHYAD[0:3] | O, Z, LI (D) | Receive Data Output 4-bit nibble data outputs (synchronous to RXCLK) when in 10/100Mbps MII mode In 10Mbps GPSI (7-Wired) mode, the RXD [0] pin is used as the serial data output pin, and the RXD [1:3] are ignored PHY address [0:3] (power up reset latch input) PHY address sensing input pins |
| 32 | MDINTR | IO, LI (D) | Status Interrupt Output: Whenever there is a status change (link, speed, duplex depend on interrupt register [21]) The interrupt output assert low when pull up. Asserted high when pull down. |



DM9161B

10/100 Mbps Fast Ethernet Physical Layer Single Chip Transceiver

| | | | |
|----|----------------------|-----------------------|--|
| 34 | RXCLK /10BTSER | O, Z, LI (U) | Receive Clock The received clock provides the timing reference for the transfer of the RXDV, RXD, and RXER. RXCLK is provided by PHY. The PHY may recover the RXCLK reference from the received data or it may derive the RXCLK reference from a nominal clock 25MHz in 100Mbps MII mode, 2.5MHz in 10Mbps MII mode, 10MHz in 10Mbps GPSI (7-Wired) mode 10BTSER only support for 10M mode; (power up reset latch input) 0 = GPSI (7-Wired) mode in 10M mode 1 = MII mode in 10M mode |
| 35 | CRS /PHYAD[4] | O, Z, LI (D) | Carrier Sense Detect/ PHYAD[4] Asserted high to indicate the presence of carrier due to receive or transmit activities in half-duplex mode of 10BASE-T or 100BASE-TX. In repeater mode or full-duplex mode, this signal is asserted high to indicate the presence of carrier due to receive activity only This pin is also used as PHYAD [4] (power up reset latch input) PHY address sensing input pin |
| 36 | COL /RMII | O, Z, LI (D) | Collision Detection Asserted high to indicate the detection of the collision conditions in half-duplex mode of 10Mbps and 100Mbps. In full-duplex mode, this signal is always logical 0 Reduced MII enable: This pin is also used to select Normal MII or Reduced MII. (power up reset latch input) 0= Normal MII (default) 1= Reduced MII This pin is always pulled low except used as reduced MII |
| 37 | RXDV /TESTMODE | O, Z, LI (D) | Receive Data Valid Asserted high to indicate that the valid data is presented on the RXD [0:3] Test mode control pin (power up reset latch input) 0 = normal operation (default) 1 = enable test mode |
| 38 | RXER/RXD[4] /RPTR | O, Z, LI (D) | Receive Data Error/The Fifth RXD Data Bit of the 5B Symbol Asserted high to indicate that an invalid symbol has been detected In decoder bypass mode (bypass BP4B5B), RXER becomes RXD [4], the fifth RXD data bit of the 5B symbol This pin is also used to select Repeater or Node mode. (power up reset latch input) 0 = Node Mode (default) 1 = Repeater Mode |
| 31 | LEDMODE | I | LED MODE Select Reference LED function description 0: support Dual-LED 1: Normal LED |
| 40 | RESET# | I | Reset Active low input that initializes the DM9161B. |



5.2 Media Interface, 4 pins

| Pin No. | Pin Name | I/O | Description |
|---------|------------|-----|--|
| 3,4 | RX+ RX- | I/O | Differential Receive Pair Differential data is received from the media |
| 7,8 | TX+ TX- | I/O | Differential Transmit Pair Differential data is transmitted to the media in TP mode |

5.3 LED Interface, 3 pins

| Pin No. | Pin Name | I/O | Description |
|---------|--------------|-----------------|---|
| 11 | LED0 /OP0 | O, LI (U) | LED Driver output 0 OP0: (power up reset latch input) This pin is used to control the forced or advertised operating mode of the DM9161B according to the Table A. The value is latched into the DM9161B registers at power-up/reset This LED pin will "ON" for 500ms after reset de-assertion |
| 12 | LED1 /OP1 | O, LI (U) | LED Driver output 1 OP1: (power up reset latch input) This pin is used to control the forced or advertised operating mode of the DM9161B according to the Table A. The value is latched into the DM9161B registers at power-up/reset This LED pin will "ON" for 500ms after reset de-assertion Note that, when this LED in "LED_mode=1" (see section 6.1) mode, it is "ON" in 100Mbps mode even the DM9161B is not in link up state |
| 13 | LED2 /OP2 | O, LI (U) | LED Driver output 2 OP2: (power up reset latch input) This pin is used to control the forced or advertised operating mode of the DM9161B according to the Table A. The value is latched into the DM9161B registers at power-up/reset This LED pin will "ON" for 500ms after reset de-assertion |

5.4 Mode, 3 pins

| Pin No. | Pin Name | I/O | Description |
|---------|----------------------|-----------------|---|
| 10 | PWRDWN | I | Power Down Control Asserted high to force the DM9161B into power down mode. When in power down mode, most of the DM9161B circuit block's power is turned off, only the MII management interface (MDC, MDIO) logic is available (the PHY should respond to management transactions and should not generate spurious signals on the MII). To leave power down mode, the DM9161B needs the hardware or software reset with the PWRDWN pin low |
| 14 | CABLESTS /LINKSTS | O, LI (D) | Cable Status or Link Status This pin is used to indicate the status of the cable connection when power up reset latch low (Default) 0 = Without cable connection 1 = With cable connection This pin is used to indicate the status of the Link connection when power up reset latch high 0 = With link 1 = Without link |



DM9161B

10/100 Mbps Fast Ethernet Physical Layer Single Chip Transceiver

| | | | |
|----|---------|----------|---|
| 39 | DISMDIX | I (D) | HP Auto-MDIX Control 1: Disable auto mode 0: Enable HP Auto-MDIX mode |
|----|---------|----------|---|

5.5 Bias and Clock, 4 pins

| Pin No. | Pin Name | I/O | Description |
|---------|----------|-----|---|
| 47 | BGRESG | P | Band gap Ground |
| 48 | BGRES | O | Band gap Voltage Reference Resistor 6.8K ohm +/- 1% |
| 42 | XT2 | I/O | Crystal Output or REF_CLK input for RMII mode |
| 43 | XT1 | I | Crystal Input or REF_CLK input for RMII mode |

*RMII mode REF_CLK 50MHz choice XT1 or XT2.

5.6 Power, 12 pins

| Pin No. | Pin Name | I/O | Description |
|----------|----------|-----|-----------------------------------|
| 1,2 | AVDDR | P | 1.8V Analog Receive Power output |
| 9 | AVDDT | P | 1.8V Analog Transmit Power output |
| 5 | AGND | P | Analog Receive Ground |
| 6 | AGND | P | Analog Transmit Ground |
| 46 | AGND | P | Analog Substrate Ground |
| 23,30,41 | DVDD | P | 3.3V Digital Power |
| 15,33,44 | DGND | P | Digital Ground |

5.7 Table of Media Type Selection

| OP2 | OP1 | OP0 | Function |
|-----|-----|-----|---|
| 0 | 0 | 0 | Dual Speed 100/10 HDX |
| 0 | 0 | 1 | Reserved |
| 0 | 1 | 0 | Reserved |
| 0 | 1 | 1 | Manually Select 10TX HDX |
| 1 | 0 | 0 | Manually Select 10TX FDX |
| 1 | 0 | 1 | Manually Select 100TX HDX |
| 1 | 1 | 0 | Manually Select 100TX FDX |
| 1 | 1 | 1 | Auto-negotiation Enables All Capabilities |



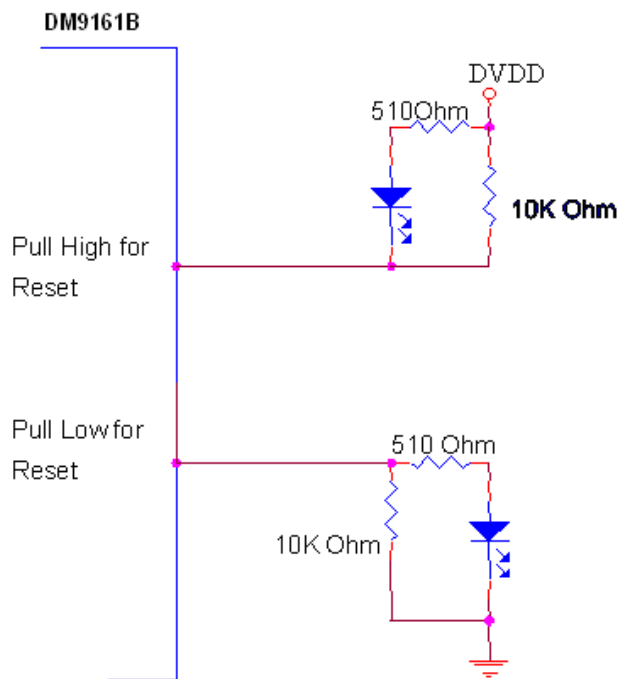
5.8 Pin Maps of Normal MII, Reduced MII, and 10Base-T GPSI (7-Wired) Mode

| Pin No. | Normal MII Mode | Reduced MII Mode | 10Base-T GPSI (7-Wired) Mode |
|---------|-----------------------------------|--|------------------------------|
| 20,19 | TXD [0:1] | TXD [0:1] | TXD [0] ; TXD [1] = NC |
| 18,17 | TXD [2:3] | NC | NC |
| 21 | TXEN | TXEN | TXEN |
| 16 | TXER/TXD [4] | NC | NC |
| 22 | TXCLK | NC | TXCLK |
| 29,28 | RXD [0:1] | RXD [0:1] | RXD [0] ; RXD [1] = NC |
| 27,26 | RXD[2:3] | NC | NC |
| 38 | RXER/RXD[4]/RPTR/NODE | RPTR/NODE | RPTR/NODE |
| 37 | RXDV | CRS DV | NC |
| 34 | RXCLK | NC | RXCLK |
| 36 | COL | NC | COL |
| 35 | CRS (PHYADR [2:4]) (BP4B5B) | NC | CRS |
| 24 | MDC | MDC | MDC |
| 25 | MDIO | MDIO | MDIO |
| 40 | RESET# | RESET# | RESET# |
| 43 | XT1 (25 MHz) | XT1 (pin43) or XT2 (pin 42) (REF_CLK 50MHz) | XT1 (25 MHz) |

6. LED Configuration

LEDs flash once per 500ms after power-on reset or software reset by writing PHY register. All LED pins are dual function pins, which can be configured as either active high or low by pulling them low or high accordingly. If the pin is pulled high, the LED is active low after reset. Likewise, if the pin is pulled low, the LED is active high after reset. LEDs flash once per 500ms after power-on reset or software reset by writing PHY

register. All LED pins are dual function pins, which can be configured as either active high or low by pulling them low or high accordingly. If the pin is pulled high, the LED is active low after reset. Likewise, if the pin is pulled low, the LED is active high after reset.



6.1 LED Function Description

Normal LED mode

| LED_MODE = 1 | | | | | |
|--------------------|-----|--------------------------|-----------------------|------------------------|--------------|
| Name | Pin | Lo | Hi | Lo | Hi |
| LED0 | 11 | FDX | HDX | FDX | HDX |
| LED1 | 12 | SPEED: 100M | SPEED: 10M | SPEED: 100M | SPEED: 10M |
| CABLESTS / LINKSTS | | Pull Down | | Pull Up | |
| Name | Pin | Lo | Hi | Lo | Hi |
| LED2 | 13 | Link | Link Fail | N/A | |
| | | Flashing (HiLo) Active | | Flashing (HiLo) Active | |
| CABLESTS / LINKSTS | 14 | Without Cable connection | With Cable connection | With Link | Without Link |

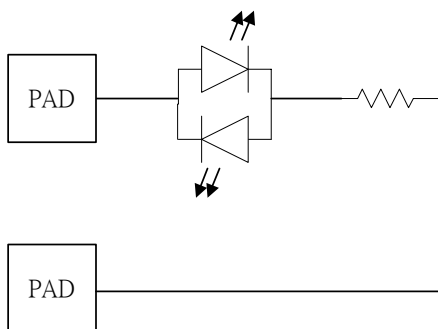
* Pin 31 = LEDMODE

For Dual-LED.

| LED_MODE = 0 | | | | | | |
|--------------------|-----|--------------------------|-----------------------|-----------------|---------------------------|--------|
| Name | Pin | LINK Mode | | | | |
| | | Link Fail | SPEED: 100M | | SPEED: 10M | |
| | | | Link OK | Active | Link OK | Active |
| LED0 | 11 | Lo | Lo | Flashing (LoHi) | HI | |
| LED1 | 12 | Lo | Hi | | Lo | |
| CABLESTS / LINKSTS | | Pull Down | | Pull Up | | |
| Name | Pin | Lo | Hi | Lo | Hi | |
| LED2 | 13 | FDX | HDX | FDX | HDX | |
| | | | | | Flashing (LoHi) Collision | |
| CABLESTS / LINKSTS | 14 | Without Cable connection | With Cable connection | With Link | Without Link | |

* Pin 31 = LEDMODE

6.1.1 Dual-LED application circuit.



7. Functional Description

The DM9161B Fast Ethernet single chip transceiver, providing the functionality as specified in IEEE 802.3u, integrates a complete 100Base-TX module and a complete 10Base-T module. The DM9161B provides a Media Independent Interface (MII) as defined in the IEEE 802.3u standard (Clause 22).

The DM9161B performs all PCS (Physical Coding Sub layer), PMA (Physical Media Access), TP-PMD (Twisted Pair Physical Medium Dependent) sub layer, 10Base-T Encoder/Decoder, and Twisted Pair Media Access Unit (TPMAU) functions. Figure 7-1 shows the major functional blocks implemented in the DM9161B.

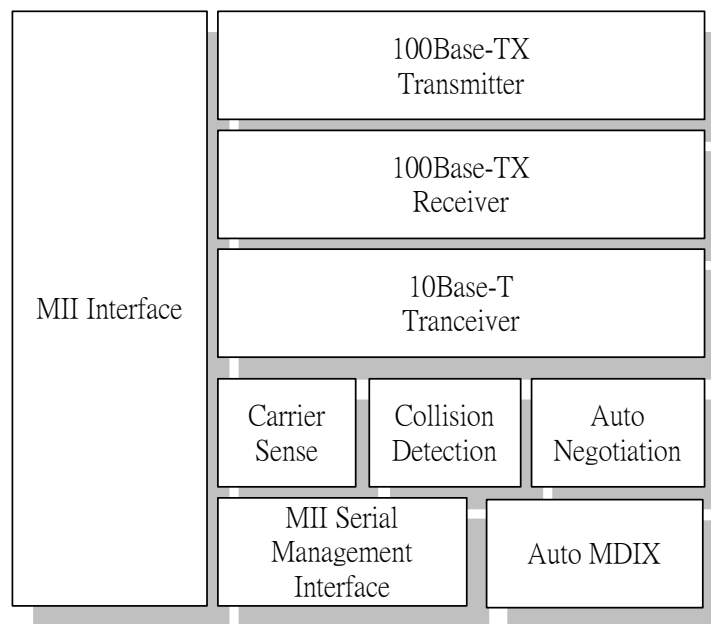


Figure 7-1

7.1 MII Interface

The DM9161B provides a Media Independent Interface (MII) as defined in the IEEE 802.3u standard (Clause 22).

The purpose of the MII interface is to provide a simple, easy to implement connection between the MAC Reconciliation layer and the PHY. The MII is designed to make the differences between various media transparent to the MAC sub layer.

The MII consists of a nibble wide receive data bus, a nibble wide transmit data bus, and control signals to facilitate data transfers between the PHY and the Reconciliation layer.

- TXD (transmit data) is a nibble (4 bits) of data that are driven by the reconciliation sub layer synchronously with

respect to TXCLK. For each TXCLK period, which TXEN is asserted, TXD (3:0) are accepted for transmission by the PHY.

- TXCLK (transmit clock) output to the MAC reconciliation sub layer is a continuous clock that provides the timing reference for the transfer of the TXEN, TXD, and TXER signals.
- TXEN (transmit enable) input from the MAC reconciliation sub layer indicates that nibbles are being presented on the MII for transmission on the physical medium.

MII Interface (continued)

- TXER (transmit coding error) transitions are synchronously with respect to TXCLK. If TXER is asserted for one or more clock periods, and TXEN is asserted, the PHY will emit one or more symbols that are not part of the valid data delimiter set somewhere in the frame being transmitted.
- RXD (receive data) is a nibble (4 bits) of data that are sampled by the reconciliation sub layer synchronously with respect to RXCLK. For each RXCLK period which RXDV is asserted, RXD (3:0) are transferred from the PHY to the MAC reconciliation sub layer.
- RXCLK (receive clock) output to the MAC reconciliation sub layer is a continuous clock that provides the timing reference for the transfer of the RXDV, RXD, and RXER signals.
- RXDV (receive data valid) input from the PHY indicates that the PHY is presenting recovered and decoded nibbles to the MAC reconciliation sub layer. To interpret a receive frame correctly by the reconciliation sub layer, RXDV must encompass the frame, starting no later than the Start-of-Frame delimiter and excluding any End-Stream delimiter.
- RXER (receive error) transitions are synchronously with respect to RXCLK. RXER will be asserted for 1 or more clock periods to indicate to the reconciliation sub layer that an error was detected somewhere in the frame being transmitted from the PHY to the reconciliation sub layer.
- CRS (carrier sense) is asserted by the PHY when either the transmit or receive medium is non-idle, and de-asserted by the PHY when the transmit and receive medium are idle. Figure 7-2 depicts the behavior of CRS during 10Base-T and 100Base-TX transmission.

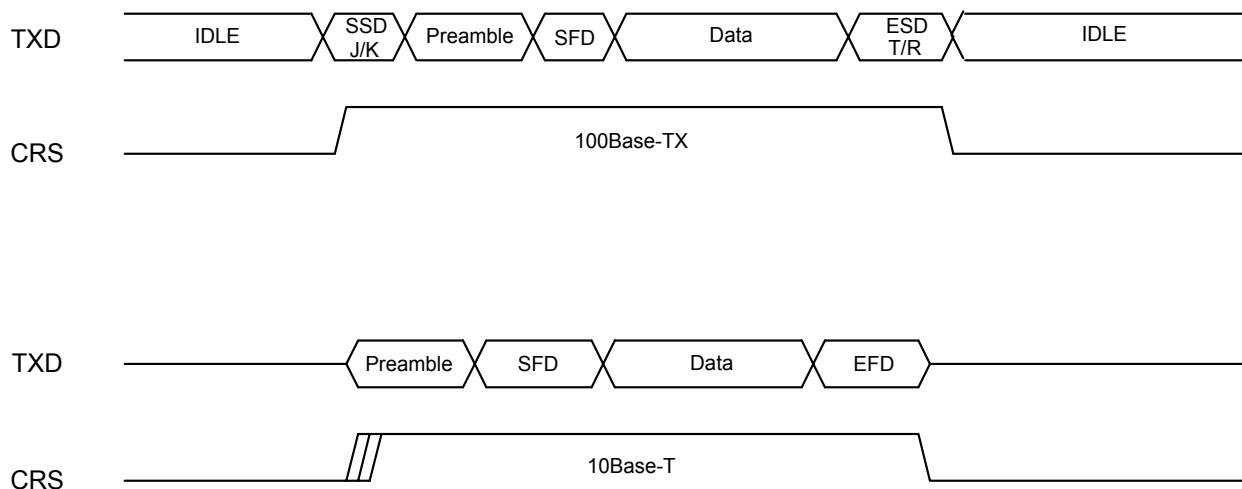


Figure 7-2

7.2 100Base-TX Operation

The 100Base-TX transmitter receives 4-bit nibble data clocked in at 25MHz at the MII, and outputs a scrambled 5-bit encoded MLT-3 signal to the media at 100Mbps. The on-chip clock circuit converts the 25MHz clock into a 125MHz clock for internal use.

The IEEE 802.3u specification defines the Media Independent Interface. The interface specification defines a dedicated receive data bus and a dedicated transmit data bus.

These two busses include various controls and signal indications that facilitate data transfers between the DM9161B and the Reconciliation layer.

7.2.1 100Base-TX Transmit

The 100Base-TX transmitter consists of the functional blocks shown in figure 7-3. The 100Base-TX transmit section converts 4-bit synchronous data provided by the MII to a scrambled MLT-3 125, a million symbols per second serial data stream.

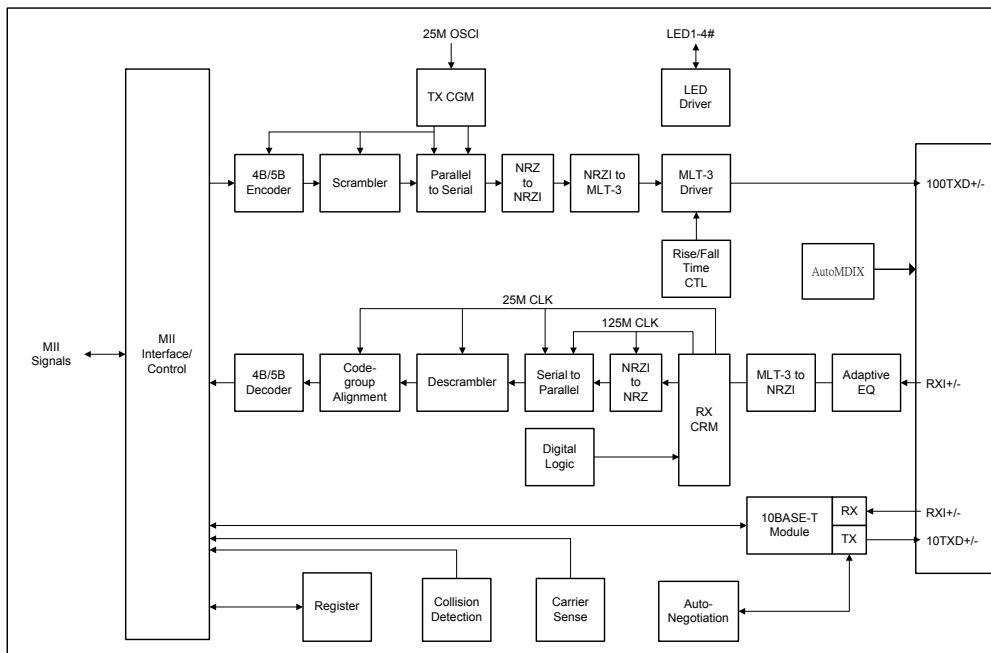


Figure 7-3

The block diagram in figure 7-3 provides an overview of the functional blocks contained in the transmit section.

The transmitter section contains the following functional blocks:

- 4B5B Encoder
- Scrambler
- Parallel to Serial Converter
- NRZ to NRZI Encoder
- NRZI to MLT-3
- MLT-3 Driver

7.2.1.1 4B5B Encoder

The 4B5B encoder converts 4-bit (4B) nibble data generated by the MAC Reconciliation Layer into a 5-bit (5B) code group for transmission, see reference Table 7-1. This conversion is required for control and packet data to be combined in code groups. The 4B5B encoder substitutes the first 8 bits of the MAC preamble with a J/K code group pair (11000 10001) upon transmit. The 4B5B encoder continues to replace subsequent 4B preamble and data nibbles with corresponding 5B code-groups. At the end of the transmit packet, upon the deassertion of the Transmit Enable signal from the MAC Reconciliation layer, the 4B5B encoder injects the T/R code group pair (01101 00111) indicating end of frame. After the T/R code group pair, the 4B5B encoder continuously injects IDLEs into the transmit data stream until Transmit Enable is asserted and the next transmit packet is detected.

The DM9161B includes a Bypass 4B5B conversion option within the 100Base-TX Transmitter for support of applications like 100 Mbps repeaters, which do not require 4B5B conversion.

7.2.1.2 Scrambler

The scrambler is required to control the radiated emissions (EMI) by spreading the transmit energy across the frequency spectrum at the media connector and on the twisted pair cable in 100Base-TX operation.

By scrambling the data, the total energy presented to the cable is randomly distributed over a wide frequency range. Without the scrambler, energy levels on the cable could peak beyond FCC limitations at frequencies related to repeated 5B sequences like continuous transmission of IDLE symbols. The scrambler output is combined with the NRZ 5B data from the code group encoder via an XOR logic function. The result is a scrambled data stream with sufficient randomization to decrease radiated emissions at critical frequencies.

7.2.1.3 Parallel to Serial Converter

The Parallel to Serial Converter receives parallel 5B scrambled data from the scrambler and serializes it (converts it from a parallel to a serial data stream). The serialized data stream is then presented to the NRZ to NRZI encoder block

7.2.1.4 NRZ to NRZI Encoder

Since the transmit data stream has been scrambled and serialized, the data must be NRZI encoded for compatibility with the TP-PMD standard for 100Base-TX transmission over Category-5 unshielded twisted pair cable.

7.2.1.5 MLT-3 Converter

The MLT-3 conversion is accomplished by converting the data stream output from the NRZI encoder into two binary data streams with alternately phased logic one events.

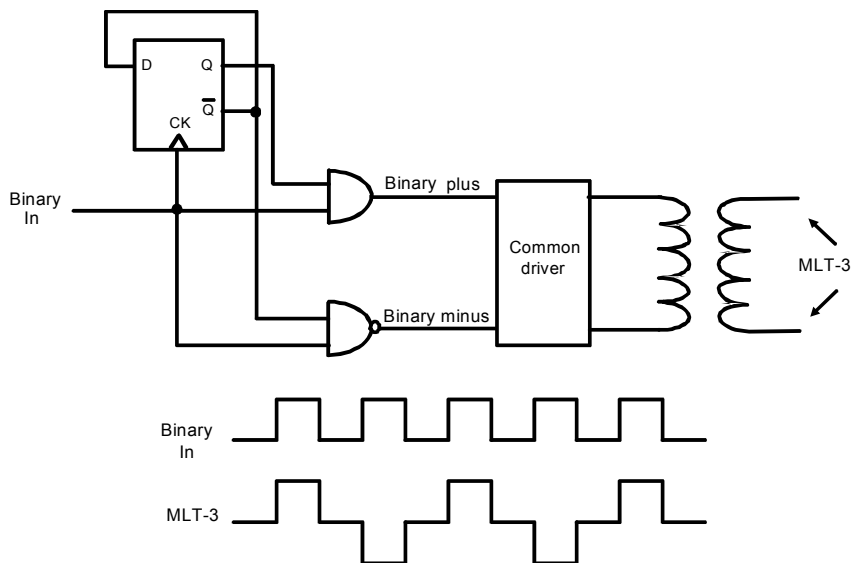
7.2.1.6 MLT-3 Driver

The two binary data streams, created at the MLT-3 converter, are fed to the twisted pair output driver, which converts these streams to current sources and alternately drives either side of the transmit transformer's primary winding, resulting in a minimal current MLT-3 signal. Refer to figure 7-4 for the block diagram of the MLT-3 converter.

7.2.1.7 4B5B Code Group

| Symbol | Meaning | 4B code 3210 | 5B Code 43210 |
|--------|---------|-----------------|------------------|
| 0 | Data 0 | 0000 | 11110 |
| 1 | Data 1 | 0001 | 01001 |
| 2 | Data 2 | 0010 | 10100 |
| 3 | Data 3 | 0011 | 10101 |
| 4 | Data 4 | 0100 | 01010 |
| 5 | Data 5 | 0101 | 01011 |
| 6 | Data 6 | 0110 | 01110 |
| 7 | Data 7 | 0111 | 01111 |
| 8 | Data 8 | 1000 | 10010 |
| 9 | Data 9 | 1001 | 10011 |
| A | Data A | 1010 | 10110 |
| B | Data B | 1011 | 10111 |
| C | Data C | 1100 | 11010 |
| D | Data D | 1101 | 11011 |
| E | Data E | 1110 | 11100 |
| F | Data F | 1111 | 11101 |
| | | | |
| I | Idle | undefined | 11111 |
| J | SFD (1) | 0101 | 11000 |
| K | SFD (2) | 0101 | 10001 |
| T | ESD (1) | undefined | 01101 |
| R | ESD (2) | undefined | 00111 |
| H | Error | undefined | 00100 |
| | | | |
| V | Invalid | undefined | 00000 |
| V | Invalid | undefined | 00001 |
| V | Invalid | undefined | 00010 |
| V | Invalid | undefined | 00011 |
| V | Invalid | undefined | 00101 |
| V | Invalid | undefined | 00110 |
| V | Invalid | undefined | 00111 |
| V | Invalid | undefined | 01000 |
| V | Invalid | undefined | 01001 |
| V | Invalid | undefined | 01010 |
| V | Invalid | undefined | 01011 |
| V | Invalid | undefined | 01100 |
| V | Invalid | undefined | 01101 |
| V | Invalid | undefined | 01110 |
| V | Invalid | undefined | 01111 |
| V | Invalid | undefined | 10000 |
| V | Invalid | undefined | 10001 |
| V | Invalid | undefined | 10010 |
| V | Invalid | undefined | 10011 |
| V | Invalid | undefined | 10100 |
| V | Invalid | undefined | 10101 |
| V | Invalid | undefined | 10110 |
| V | Invalid | undefined | 10111 |
| V | Invalid | undefined | 11000 |
| V | Invalid | undefined | 11001 |
| V | Invalid | undefined | 11010 |
| V | Invalid | undefined | 11011 |
| V | Invalid | undefined | 11100 |
| V | Invalid | undefined | 11101 |
| V | Invalid | undefined | 11110 |
| V | Invalid | undefined | 11111 |

Table 7-1


Figure 7-4

7.2.2 100Base-TX Receiver

The 100Base-TX receiver contains several function blocks that convert the scrambled 125Mb/s serial data to synchronous 4-bit nibble data, which is then provided to the MII.

The receive section contains the following functional blocks:

- Signal Detect
- Adaptive Equalizer
- MLT-3 to NRZI Decoder
- Clock Recovery Module
- NRZI to NRZ Decoder
- Serial to Parallel
- Descrambler
- Code Group Alignment
- 4B5B Decoder

7.2.2.1 Signal Detect

The signal detects function meets the specifications mandated by the ANSI XT12 TP-PMD 100Base-TX Standards for both voltage thresholds and timing parameters.

7.2.2.2 Adaptive Equalizer

When transmitting data at high speeds over copper twisted pair cable, attenuation based on frequency becomes a concern. In high speed twisted pair signaling, the frequency content of the transmitted signal can vary greatly during normal operation based on the randomness of the scrambled data stream. This variation in signal attenuation caused by frequency variations must be compensated for to ensure the integrity of the received data. In order to ensure quality transmission when employing MLT-3 encoding, the compensation must be able to adapt to various cable lengths and cable types depending on the installed environment. The selection of long cable lengths for a given implementation requires significant compensation, which will be over-kill in a situation that includes shorter, less attenuating cable lengths. Conversely, the selection of short or intermediate cable lengths requiring less compensation will cause serious under-compensation for longer length cables. Therefore, the compensation or equalization must be adaptive to ensure proper conditioning of the received signal independent of the cable length.

7.2.2.3 MLT-3 to NRZI Decoder

The DM9161B decodes the MLT-3 information from the Digital Adaptive Equalizer into NRZI data. The relation between NRZI and MLT-3 data is shown in figure 7-4.

7.2.2.4 Clock Recovery Module



The Clock Recovery Module accepts NRZI data from the MLT-3 to NRZI decoder. The Clock Recovery Module locks onto the data stream and extracts the 125MHz reference clock. The extracted and synchronized clock and data are presented to the NRZI to NRZ Decoder.

7.2.2.5 NRZI to NRZ

The transmit data stream is required to be NRZI encoded in for compatibility with the TP-PMD standard for 100Base-TX transmission over Category-5 unshielded twisted pair cable. This conversion process must be reversed on the receive end. The NRZI to NRZ decoder receives the NRZI data stream from the Clock Recovery Module and converts it to a NRZ data stream to be presented to the Serial to Parallel conversion block.

7.2.2.6 Serial to Parallel

The Serial to Parallel Converter receives a serial data stream from the NRZI to NRZ converter, and converts the data stream to parallel data to be presented to the descrambler.

7.2.2.7 Descrambler

Because the scrambling process requires to control the radiated emissions of transmit data streams, the receiver must descramble the receive data streams. The descrambler receives scrambled parallel data streams from the Serial to Parallel converter, descrambles the data streams, and presents the data streams to the Code Group alignment block.

7.2.2.8 Code Group Alignment

The Code Group Alignment block receives un-aligned 5B data from the descrambler and converts it into 5B code group data. Code Group Alignment occurs after the J/K is detected and subsequent data is aligned on a fixed boundary.

7.2.2.9 4B5B Decoder

The 4B5B Decoder functions as a look-up table that translates incoming 5B code groups into 4B (Nibble) data. When receiving a frame, the first 2 5-bit code groups received are the start-of-frame delimiter (J/K symbols). The J/K symbol pair is stripped and two nibbles of preamble pattern are substituted. The last two code groups are the end-of-frame delimiter (T/R symbols).

The T/R symbol pair is also stripped from the nibble

presented to the Reconciliation layer.

7.2.3 10Base-T Operation

The 10Base-T transceiver is IEEE 802.3u compliant. When the DM9161B is operating in 10Base-T mode, the coding scheme is Manchester. Data processed for transmit is presented to the MII interface in nibble format, converted to a serial bit stream, then Manchester encoded. When receiving, the Manchester encoded bit stream is decoded and converted into nibble format for presentation to the MII interface.

7.2.4 Collision Detection

For half-duplex operation, a collision is detected when the transmit and receive channels are active simultaneously. When a collision has been detected, it will be reported by the COL signal on the MII interface. Collision detection is disabled in Full Duplex operation.

7.2.5 Carrier Sense

Carrier Sense (CRS) is asserted in half-duplex operation during transmission or reception of data. During full-duplex mode, CRS is asserted only during receive operations.

7.2.6 Auto-Negotiation

The objective of Auto-negotiation is to provide a means to exchange information between segment linked devices and to automatically configure both devices to take maximum advantage of their abilities. It is important to note that Auto-negotiation does not test the link segment characteristics. The Auto-Negotiation function provides a means for a device to advertise supported modes of operation to a remote link partner, acknowledge the receipt and understanding of common modes of operation, and to reject un-shared modes of operation. This allows devices on both ends of a segment to establish a link at the best common mode of operation. If more than one common mode exists between the two devices, a mechanism is provided to allow the devices to resolve to a single mode of operation using a predetermined priority resolution function.

Auto-Negotiation (continued)

Auto-negotiation also provides a parallel detection function for devices that do not support the Auto-negotiation feature. During Parallel detection there is no exchange of configuration information, instead, the receive signal is examined. If it is discovered that the signal matches a technology, supported by the receiving device, a connection will be automatically established using that technology. This allows devices, which do not support Auto-negotiation but support a common mode of operation, to establish a link.

7.2.7 MII Serial Management

The MII serial management interface consists of a data interface, basic register set, and a serial management interface to the register set. Through this interface it is possible to control and configure multiple PHY devices, get status and error information, and determine the type and capabilities of the attached PHY device(s).

The DM9161B management functions correspond to MII specification for IEEE 802.3u-1995 (Clause 22) for registers 0 through 6 with vendor-specific registers 16, 17, 18, 21, 22, 23 and 24.

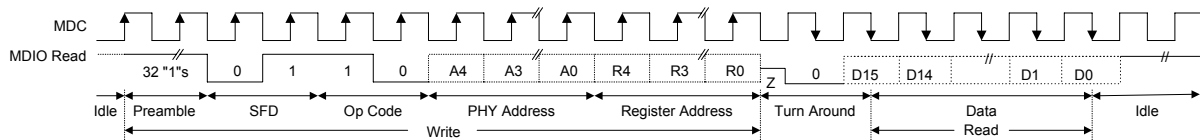
In read/write operation, the management data frame is 64-bits long and starts with 32 contiguous logic one bits (preamble) synchronization clock cycles on MDC. The Start of Frame Delimiter (SFD) is indicated by a <01> pattern followed by the operation code (OP) :< 10> indicates Read operation and <01> indicates Write operation. For read operation, a 2-bit turnaround (TA) field between Register Address field and Data field is provided for MDIO to avoid contention. Following the turnaround time, 16-bit data is read from or written onto management registers.

7.2.8 Serial Management Interface

The serial control interface uses a simple two-wired serial interface to obtain and control the status of the physical layer through the MII interface. The serial control interface consists of MDC (Management Data Clock), and MDI/O (Management Data Input/Output) signals.

The MDIO pin is bi-directional and may be shared by up to 32 devices.

7.2.9 Management Interface - Read Frame Structure



7.2.10 Management Interface - Write Frame Structure

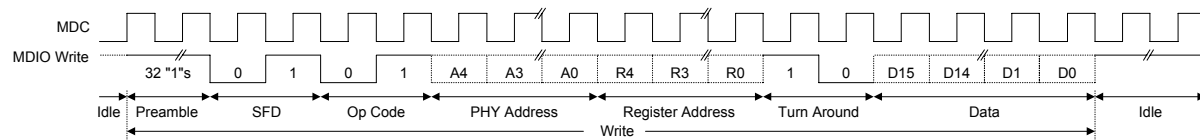


Figure 7-5

7.2.11 Power Reduced Mode

The Signal detect circuit is always turned on to monitor whether there is any signal on the media. In case of cable disconnection, DM9161B will automatically turn off the power and enter the Power Reduced mode, regardless of its operation mode being N-way auto-negotiation or forced mode. While in the Power Reduced mode, the transmit circuit will continue sending out fast link pulse with minimum power consumption. If a valid signal is detected from the media, which might be N-way fast link pulse, 10Base-T normal link pulse, or 100Base-TX MLT3 signals, the device wakes up and resumes normal operation mode.

Automatic reduced power down mode can be disabled by writing Zero to Reg.16.4.

7.2.12 Power down Mode

Power Down mode is entered by setting Reg.0.11 to ONE or pulling PWRDWN pin high, which disables all transmit and receive functions, and MII interface functions except the MDC/MDIO management interface.

7.2.13 Reduced Transmit Power Mode

Additional transmit power reduction can be gained by designing with 1.25:1 turns ration magnetic on its TX side and using a 8.5KΩ resistor on BGRES and BGRESG pins, and the TX+/TX- pulled high resistors being changed from 50Ω to 78Ω. This configuration could reduce about 20% of transmit power.

7.3 HP Auto-MDIX Functional Descriptions

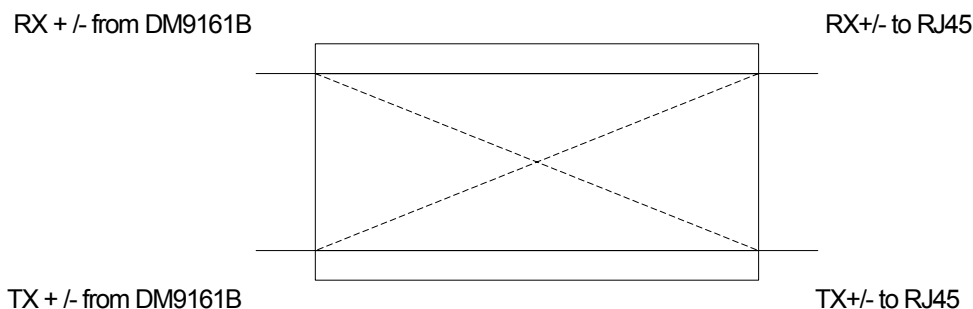
The DM9161B supports the automatic detect cable connection type, MDI/MDIX (straight through/cross over). A manual configuration by register bit for MDI or MDIX is still accepted.

When set to automatic, the polarity of MDI/MDIX controlled timing is generated by 16-bits LFSR. The switching cycle time is located from 200ms to 420ms. The polarity control is always switch until detect received signal. After selected MDI or MDIX, the polarity status can be read by register bit (20.7). (See page33, 8.12 specified config register-20 bit 7)7.3.1 Function Setting.

Pin 39 is used to enable HP Auto-MDIX function.

Pull pin 39 low will enable it, and pull pin 39 high will disable it.

Specified config Register 20 bit 4 (20, 4) is used by programmer to disable HP Auto-MDIX function. Write register 20 bit 4 to "1" will disable HP Auto-MDIX function. Its default value is "0". When the register 20 bit 4 (20, 4) is set to "1", the register 20 bit 5(20, 5) is used to select straight through or cross over mode, "0" is for straight through, and "1" is for cross over.



* MDI: _____

* MDIX: - - - - -

This feature is able to detect the required cable connection type. (Straight through or crossed over) and make correction automatically



8. MII Register Description

| AD | Name | 15 | 14 | 13 | 12 | 11 | 10 | 9 | 8 | 7 | 6 | 5 | 4 | 3 | 2 | 1 | 0 |
|----|---------------------|------------------------|-------------|--------------|---------------|-------------|-------------|----------------|----------------|--------------------|---------------|----------------|--------------------------------------|-----------------|--------------|---------------|------------------|
| 00 | CONTROL | Reset | Loop back | Speed select | Auto-N Enable | Power Down | Isolate | Restart Auto-N | Full Duplex | Coll. Test | Reserved | | | | | | |
| | | 0 | 0 | 1 | 1 | 0 | 0 | 0 | 1 | 0 | 000_0000 | | | | | | |
| 01 | STATUS | T4 Cap. | TX FDX Cap. | TX HDX Cap. | 10 FDX Cap. | 10 HDX Cap. | Reserved | | | | Pream. Supr. | Auto-N Compl. | Remote Fault | Auto-N Cap. | Link Status | Jabber Detect | Extd Cap. |
| | | 0 | 1 | 1 | 1 | 1 | 0000 | | | | 1 | 0 | 0 | 1 | 0 | 0 | 0 |
| 02 | PHYID1 | 0 | 0 | 0 | 0 | 0 | 0 | 0 | 1 | 1 | 0 | 0 | 0 | 0 | 0 | 0 | 1 |
| 03 | PHYID2 | 1 | 0 | 1 | 1 | 1 | 0 | Model No. | | | | | Version No. | | | | |
| | | 001011 | | | | | | | | | | | | | | | |
| 04 | Auto-Neg. Advertise | Next Page | FLP Rcv Ack | Remote Fault | Reserved | | FC Adv | T4 Adv | TX FDX Adv | TX HDX Adv | 10 FDX Adv | 10 HDX Adv | Advertised Protocol Selector Field | | | | |
| 05 | Link Part. Ability | LP Next Page | LP Ack | LP RF | Reserved | | LP FC | LP T4 | LP TX FDX | LP TX HDX | LP 10 FDX | LP 10 HDX | Link Partner Protocol Selector Field | | | | |
| 06 | Auto-Neg. Expansion | Reserved | | | | | | | | | | | Pardet Fault | LP Next Pg Able | Next Pg Able | New Pg Rcv | LP AutoN Cap. |
| 16 | Specified Config. | BP 4B5B | BP SCR | BP ALIGN | BP_AD_P OK | Repeater | TX | FEF_EN | RMII_E N | Force 100LNK | TST_SE L0 | LEDCL SEL | RPDCTR -EN | Reset St. Mch | Pream. Supr. | Sleep mode | Remote LoopOut |
| 17 | Specified Conf/Stat | 100 FDX | 100 HDX | 10 FDX | 10 HDX | Reserve d | Reverse d | Reverse d | PHY ADDR [4:0] | | | | Auto-N. Monitor Bit [3:0] | | | | |
| 18 | 10T Conf/Stat | Rsvd | LP Enable | HBE Enable | SQUE Enable | JAB Enable | 10T Serial | Reserved | | | | | | | | | Polarity Reverse |
| 19 | PWDOR | Reserved | | | | | | | PD10DR V | PD100I | PDchip | PDcm | PDaeq | PDdrv | PDeci | PDedo | PD10 |
| 20 | Specified config | TSTSE1 | TSTSE2 | FORCE_TXSD | FORCE_FEF | Reserved | | | | MDIX_C NTL | AutoNeg_dlpbk | Mdix_fix Value | Mdix_do wn | MonSel1 | MonSel0 | Rmii_acc u | PD_valu e |
| 21 | MDINTR | Int_sts | Reserve d | Reserve d | Reverse d | Fdx_msk | Spd_msk | Lnk_msk | Int_msk | Reserve d | Reserve d | Reverse d | Fdx_chg | Spd_chg | Lnk_chg | Reserve d | Int_sts |
| 22 | RCVER | Receiver Error Counter | | | | | | | | | | | | | | | |
| 23 | DIS_connec t | Reversed | | | | | | | | Disconnect_counter | | | | | | | |
| 24 | RSTLH | Lh_led_mode | Lh_mdint_r | Lh_cabst_s | Lh_isolat_e | Lh_rmii | Lh_seril1_0 | Lh_repaer | Lh_testrn_ode | Lh_op2 | Lh_op1 | Lh_op0 | Lh_phya_d4 | Lh_phya_d3 | Lh_phya_d2 | Lh_phya_d1 | Lh_phya_d0 |
| 29 | PSCR | Reserve d | Reserve d | Reserve d | Reserve d | preamble_x | amplitud_e | TX_PW_R | Reserve d | Reserve d | Reserve d | Reserve d | Reserve d | Reserve d | Reserve d | Reserve d | Reserve d |

Key to Default

In the register description that follows, the default column takes the form:
 <Reset Value>, <Access Type> / <Attribute(s)>

<Access Type>:
 RO = Read only
 RW = Read/Write

Where :

<Reset Value>:
 1 Bit set to logic one
 0 Bit set to logic zero
 X No default value
 (PIN#) Value latched in from pin # at reset

<Attribute (s)>:
 SC = Self clearing
 P = Value permanently set
 LL = Latching low
 LH = Latching high



8.1 Basic Mode Control Register (BMCR) - 00

| Bit | Bit Name | Default | Description |
|------|--------------------------|----------|--|
| 0.15 | Reset | 0, RW/SC | Reset 1=Software reset 0=Normal operation This bit sets the status and controls the PHY registers to their default states. This bit, which is self-clearing, will keep returning a value of one until the reset process is completed |
| 0.14 | Loopback | 0, RW | Loopback Loop-back control register 1 = Loop-back enabled 0 = Normal operation When in 100Mbps operation mode, setting this bit may cause the descrambler to lose synchronization and produce a 720ms "dead time" before any valid data appears at the MII receive outputs |
| 0.13 | Speed selection | 1, RW | Speed Select 1 = 100Mbps 0 = 10Mbps Link speed may be selected either by this bit or by auto-negotiation. When auto-negotiation is enabled and bit 12 is set, this bit will return auto-negotiation selected medium type |
| 0.12 | Auto-negotiation enable | 1, RW | Auto-negotiation Enable 1 = Auto-negotiation is enabled, bit 8 and 13 will be in auto-negotiation status |
| 0.11 | Power down | 0, RW | Power Down While in the power-down state, the PHY should respond to management transactions. During the transition to power-down state and while in the power-down state, the PHY should not generate spurious signals on the MII 1=Power down 0=Normal operation |
| 0.10 | Isolate | 0,RW | Isolate 1 = Isolates the DM9161B from the MII with the exception of the serial management. (When this bit is asserted, the DM9161B does not respond to the TXD [0:3], TX_EN, and TX_ER inputs, and it shall present a high impedance on its TX_CLK, RX_CLK, RX_DV, RX_ER, RXD [0:3], COL and CRS outputs. When PHY is isolated from the MII it shall respond to the management transactions) 0 = Normal operation |
| 0.9 | Restart Auto-negotiation | 0,RW/SC | Restart Auto-negotiation 1 = Restart auto-negotiation. Re-initiates the auto-negotiation process. When auto-negotiation is disabled (bit 12 of this register cleared), this bit has no function and it should be cleared. This bit is self-clearing and it will keep returning to a value of 1 until auto-negotiation is initiated by the DM9161B. The operation of the auto-negotiation process will not be affected by the management entity that clears this bit 0 = Normal operation |



DM9161B

10/100 Mbps Fast Ethernet Physical Layer Single Chip Transceiver

| | | | |
|---------|----------------|------|---|
| 0.8 | Duplex mode | 1,RW | Duplex Mode 1 = Full duplex operation. Duplex selection is allowed when Auto-negotiation is disabled (bit 12 of this register is cleared). With auto-negotiation enabled, this bit reflects the duplex capability selected by auto-negotiation 0 = Normal operation |
| 0.7 | Collision test | 0,RW | Collision Test 1 = Collision test enabled. When set, this bit will cause the COL signal to be asserted in response to the assertion of TX_EN 0 = Normal operation |
| 0.6-0.0 | Reserved | 0,RO | Reserved Read as 0, ignore on write |

8.2 Basic Mode Status Register (BMSR) - 01

| Bit | Bit Name | Default | Description |
|----------|---------------------------|----------|---|
| 1.15 | 100BASE-T4 | 0,RO/P | 100BASE-T4 Capable 1 = DM9161B is able to perform in 100BASE-T4 mode 0 = DM9161B is not able to perform in 100BASE-T4 mode |
| 1.14 | 100BASE-TX full-duplex | 1,RO/P | 100BASE-TX Full Duplex Capable 1 = DM9161B is able to perform 100BASE-TX in full duplex mode 0 = DM9161B is not able to perform 100BASE-TX in full duplex mode |
| 1.13 | 100BASE-TX half-duplex | 1,RO/P | 100BASE-TX Half Duplex Capable 1 = DM9161B is able to perform 100BASE-TX in half duplex mode 0 = DM9161B is not able to perform 100BASE-TX in half duplex mode |
| 1.12 | 10BASE-T full-duplex | 1,RO/P | 10BASE-T Full Duplex Capable 1 = DM9161B is able to perform 10BASE-T in full duplex mode 0 = DM9161B is not able to perform 10BASE-TX in full duplex mode |
| 1.11 | 10BASE-T half-duplex | 1,RO/P | 10BASE-T Half Duplex Capable 1 = DM9161B is able to perform 10BASE-T in half duplex mode 0 = DM9161B is not able to perform 10BASE-T in half duplex mode |
| 1.10-1.7 | Reserved | 0,RO | Reserved Read as 0, ignore on write |
| 1.6 | MF preamble suppression | 1,RO | MII Frame Preamble Suppression 1 = PHY will accept management frames with preamble suppressed 0 = PHY will not accept management frames with preamble suppressed |
| 1.5 | Auto-negotiation Complete | 0,RO | Auto-negotiation Complete 1 = Auto-negotiation process completed 0 = Auto-negotiation process not completed |
| 1.4 | Remote fault | 0, RO/LH | Remote Fault 1 = Remote fault condition detected (cleared on read or by a chip reset). Fault criteria and detection method is DM9161B implementation specific. This bit will set after the RF bit in the ANLPAR (bit 13, register address 05) is set 0 = No remote fault condition detected |
| 1.3 | Auto-negotiation ability | 1,RO/P | Auto Configuration Ability 1 = DM9161B is able to perform auto-negotiation 0 = DM9161B is not able to perform auto-negotiation |
| 1.2 | Link status | 0,RO/LL | Link Status 1 = Valid link is established (for either 10Mbps or 100Mbps operation) |



DM9161B

10/100 Mbps Fast Ethernet Physical Layer Single Chip Transceiver

| | | | |
|-----|---------------------|----------|--|
| | | | 0 = Link is not established The link status bit is implemented with a latching function, so that the occurrence of a link failure condition causes the link status bit to be cleared and remain cleared until it is read via the management interface |
| 1.1 | Jabber detect | 0, RO/LH | Jabber Detect 1 = Jabber condition detected 0 = No jabber This bit is implemented with a latching function. Jabber conditions will set this bit unless it is cleared by a read to this register through a management interface or a DM9161B reset. This bit works only in 10Mbps mode |
| 1.0 | Extended capability | 1,RO/P | Extended Capability 1 = Extended register capable 0 = Basic register capable only |

8.3 PHY ID Identifier Register #1 (PHYID1) - 02

The PHY Identifier Registers #1 and #2 work together in a single identifier of the DM9161B. The Identifier consists of a concatenation of the Organizationally Unique Identifier (OUI), a vendor's model number, and a model revision number. DAVICOM Semiconductor's IEEE assigned OUI is 00606E.

| Bit | Bit Name | Default | Description |
|----------|----------|---------|---|
| 2.15-2.0 | OUI_MSB | <0181h> | OUI Most Significant Bits This register stores bit 3 to 18 of the OUI (00606E) to bit 15 to 0 of this register respectively. The most significant two bits of the OUI are ignored (the IEEE standard refers to these as bit 1 and 2) |

8.4 PHY ID Identifier Register #2 (PHYID2) - 03

| Bit | Bit Name | Default | Description |
|-----------|----------|----------------|---|
| 3.15-3.10 | OUI_LSB | <101110>, RO/P | OUI Least Significant Bits Bit 19 to 24 of the OUI (00606E) are mapped to bit 15 to 10 of this register respectively |
| 3.9-3.4 | VNDR_MDL | <001011>, RO/P | Vendor Model Number Five bits of vendor model number mapped to bit 9 to 4 (most significant bit to bit 9) |
| 3.3-3.0 | MDL_REV | <0000>, RO/P | Model Revision Number Five bits of vendor model revision number mapped to bit 3 to 0 (most significant bit to bit 4) |



8.5 Auto-negotiation Advertisement Register (ANAR) - 04

This register contains the advertised abilities of this DM9161B device as they will be transmitted to its link partner during Auto-negotiation.

| Bit | Bit Name | Default | Description |
|-----------|----------|-------------|--|
| 4.15 | NP | 0,RO/P | Next page Indication 1 = Next page available 0 = No next page available The DM9161B has no next page, so this bit is permanently set to 0 |
| 4.14 | ACK | 0,RO | Acknowledge 1 = Link partner ability data reception acknowledged 0 = Not acknowledged The DM9161B's auto-negotiation state machine will automatically control this bit in the outgoing FLP bursts and set it at the appropriate time during the auto-negotiation process. Software should not attempt to write to this bit. |
| 4.13 | RF | 0, RW | Remote Fault 1 = Local device senses a fault condition 0 = No fault detected |
| 4.12-4.11 | Reserved | X, RW | Reserved Write as 0, ignore on read |
| 4.10 | FCS | 0, RW | Flow Control Support 1 = Controller chip supports flow control ability 0 = Controller chip doesn't support flow control ability |
| 4.9 | T4 | 0, RO/P | 100BASE-T4 Support 1 = 100BASE-T4 is supported by the local device 0 = 100BASE-T4 is not supported The DM9161B does not support 100BASE-T4 so this bit is permanently set to 0 |
| 4.8 | TX_FDX | 1, RW | 100BASE-TX Full Duplex Support 1 = 100BASE-TX full duplex is supported by the local device 0 = 100BASE-TX full duplex is not supported |
| 4.7 | TX_HDX | 1, RW | 100BASE-TX Support 1 = 100BASE-TX half duplex is supported by the local device 0 = 100BASE-TX half duplex is not supported |
| 4.6 | 10_FDX | 1, RW | 10BASE-T Full Duplex Support 1 = 10BASE-T full duplex is supported by the local device 0 = 10BASE-T full duplex is not supported |
| 4.5 | 10_HDX | 1, RW | 10BASE-T Support 1 = 10BASE-T half duplex is supported by the local device 0 = 10BASE-T half duplex is not supported |
| 4.4-4.0 | Selector | <00001>, RW | Protocol Selection Bits These bits contain the binary encoded protocol selector supported by this node <00001> indicates that this device supports IEEE 802.3 CSMA/CD |



8.6 Auto-negotiation Link Partner Ability Register (ANLPAR) – 05

This register contains the advertised abilities of the link partner when received during Auto-negotiation.

| Bit | Bit Name | Default | Description |
|-----------|----------|-------------|--|
| 5.15 | NP | 0, RO | Next Page Indication 1 = Link partner, next page available 0 = Link partner, no next page available |
| 5.14 | ACK | 0, RO | Acknowledge 1 = Link partner ability data reception acknowledged 0 = Not acknowledged The DM9161B's auto-negotiation state machine will automatically control this bit from the incoming FLP bursts. Software should not attempt to write to this bit |
| 5.13 | RF | 0, RO | Remote Fault 1 = Remote fault indicated by link partner 0 = No remote fault indicated by link partner |
| 5.12-5.11 | Reserved | 0, RO | Reserved Read as 0, ignore on write |
| 5.10 | FCS | 0, RO | Flow Control Support 1 = Controller chip supports flow control ability by link partner 0 = Controller chip doesn't support flow control ability by link partner |
| 5.9 | T4 | 0, RO | 100BASE-T4 Support 1 = 100BASE-T4 is supported by the link partner 0 = 100BASE-T4 is not supported by the link partner |
| 5.8 | TX_FDX | 0, RO | 100BASE-TX Full Duplex Support 1 = 100BASE-TX full duplex is supported by the link partner 0 = 100BASE-TX full duplex is not supported by the link partner |
| 5.7 | TX_HDX | 0, RO | 100BASE-TX Support 1 = 100BASE-TX half duplex is supported by the link partner 0 = 100BASE-TX half duplex is not supported by the link partner |
| 5.6 | 10_FDX | 0, RO | 10BASE-T Full Duplex Support 1 = 10BASE-T full duplex is supported by the link partner 0 = 10BASE-T full duplex is not supported by the link partner |
| 5.5 | 10_HDX | 0, RO | 10BASE-T Support 1 = 10BASE-T half duplex is supported by the link partner 0 = 10BASE-T half duplex is not supported by the link partner |
| 5.4-5.0 | Selector | <00000>, RO | Protocol Selection Bits Link partner's binary encoded protocol selector |



8.7 Auto-negotiation Expansion Register (ANER) - 06

| Bit | Bit Name | Default | Description |
|----------|------------|----------|---|
| 6.15-6.5 | Reserved | 0, RO | Reserved Read as 0, ignore on write |
| 6.4 | PDF | 0, RO/LH | Local Device Parallel Detection Fault PDF = 1: A fault detected via parallel detection function. PDF = 0: No fault detected via parallel detection function |
| 6.3 | LP_NP_ABLE | 0, RO | Link Partner Next Page Able LP_NP_ABLE = 1: Link partner, next page available LP_NP_ABLE = 0: Link partner, no next page |
| 6.2 | NP_ABLE | 0,RO/P | Local Device Next Page Able NP_ABLE = 1: DM9161B, next page available NP_ABLE = 0: DM9161B, no next page DM9161B does not support this function, so this bit is always 0 |
| 6.1 | PAGE_RX | 0, RO/LH | New Page Received A new link code word page received. This bit will be automatically cleared when the register (register 6) is read by management |
| 6.0 | LP_AN_ABLE | 0, RO | Link Partner Auto-negotiation Able A "1" in this bit indicates that the link partner supports Auto-negotiation |

8.8 DAVICOM Specified Configuration Register (DSCR) - 16

| Bit | Bit Name | Default | Description |
|-------|-------------|--------------|--|
| 16.15 | BP_4B5B | 0,RW | Bypass 4B5B Encoding and 5B4B Decoding 1 = 4B5B encoder and 5B4B decoder function bypassed 0 = Normal 4B5B and 5B4B operation |
| 16.14 | BP_SCR | 0, RW | Bypass Scrambler/Descrambler Function 1 = Scrambler and descrambler function bypassed 0 = Normal scrambler and descrambler operation |
| 16.13 | BP_ALIGN | 0, RW | Bypass Symbol Alignment Function 1 = Receive functions (descrambler, symbol alignment and symbol decoding functions) bypassed. Transmit functions (symbol encoder and scrambler) bypassed 0 = Normal operation |
| 16.12 | BP_ADPOK | 1, RW | Bypass ADPOK Force signal detector (SD) active. This register is for debug only, not release to customer 1=Forced SD is OK, 0=Normal operation |
| 16.11 | REPEATER | (Pin#38),RW | Repeater/Node Mode The value of the Repeater/Node pin (38) is latched into this bit at power-up/reset 1 = Repeater mode 0 = Node mode |
| 16.10 | TX | 1, RW | 100BASE-TX Mode Control 1 = 100BASE-TX operation |
| 16.9 | Reserved | 1, RO | Reserved |
| 16.8 | RMII_Enable | (Pin#36), RW | Reduced MII Enable Select normal MII or reduced MII. The value of the RMII pin(36) is |



DM9161B

10/100 Mbps Fast Ethernet Physical Layer Single Chip Transceiver

| | | | |
|------|------------|-------|--|
| | | | latched into this bit at power-up/reset 1 = Enable Reduced MII 0 = Normal MII |
| 16.7 | F_LINK_100 | 0, RW | Force Good Link in 100Mbps 1 = Force 100Mbps good link status 0 = Normal 100Mbps operation This bit is useful for diagnostic purposes |
| 16.6 | SPLED_CTL | 0, RW | Speed LED Disable 1 = Disable SPEED LED output and enable SD signal monitor (for internal debug). When this bit is set, it controls the SPEED LED as 100BASE-X SD signal output .For debug only. 0 = Normal SPEED LED output to indicate speed status |
| 16.5 | COLLED_CTL | 0, RW | Collision LED Enable 1 = FDX/COL LED output is configured to indicate Full-duplex/Collision status 0 = FDX/COL LED output is configured to indicate Full/half duplex status |
| 16.4 | RPDCTR-EN | 1, RW | Reduced Power Down Control Enable This bit is used to enable automatic reduced power down 1 = Enable automatic reduced power down 0 = Disable automatic reduced power down |
| 16.3 | SMRST | 0, RW | Reset State Machine When writes 1 to this bit, all state machines of PHY will be reset. This bit is self-clear after reset is completed |
| 16.2 | MFPSC | 1, RW | MF Preamble Suppression Control MII frame preamble suppression control bit 1 = MF preamble suppression bit on 0 = MF preamble suppression bit off |
| 16.1 | SLEEP | 0, RW | Sleep Mode Writing a 1 to this bit will cause PHY entering the Sleep mode and power down all circuit except oscillator and clock generator circuit. When waking up from Sleep mode (write this bit to 0), the configuration will go back to the state before sleep; but the state machine will be reset |
| 16.0 | RLOUT | 0, RW | Remote Loop out Control When this bit is set to 1, the received data will loop out to the transmit channel. This is useful for bit error rate testing |



8.9 DAVICOM Specified Configuration and Status Register (DSCSR) - 17

| Bit | Bit Name | Default | Description | | | | | | | | | | | | | | | | | | | | | | | | | | | | | | | | | | | | | | | | | | | | | | | | | | |
|------------|-------------|--------------|---|---|----|----|----|--|---|---|---|---|---------------|---|---|---|---|---------------|---|---|---|---|-------------------|---|---|---|---|------------------------|---|---|---|---|-------------------|---|---|---|---|------------------------|---|---|---|---|------------------------------------|---|---|---|---|---|---|---|---|---|---|
| 17.15 | 100FDX | 1, RO | 100M Full Duplex Operation Mode After auto-negotiation is completed, results will be written to this bit. If this bit is 1, it means the operation 1 mode is a 100M full duplex mode. The software can read bit [15:12] to see which mode is selected after auto-negotiation. This bit is invalid when it is not in the auto-negotiation mode | | | | | | | | | | | | | | | | | | | | | | | | | | | | | | | | | | | | | | | | | | | | | | | | | | |
| 17.14 | 100HDX | 1, RO | 100M Half Duplex Operation Mode After auto-negotiation is completed, results will be written to this bit. If this bit is 1, it means the operation 1 mode is a 100M half duplex mode. The software can read bit [15:12] to see which mode is selected after auto-negotiation. This bit is invalid when it is not in the auto-negotiation mode | | | | | | | | | | | | | | | | | | | | | | | | | | | | | | | | | | | | | | | | | | | | | | | | | | |
| 17.13 | 10FDX | 1, RO | 10M Full Duplex Operation Mode After auto-negotiation is completed, results will be written to this bit. If this bit is 1, it means the operation 1 mode is a 10M Full Duplex mode. The software can read bit [15:12] to see which mode is selected after auto-negotiation. This bit is invalid when it is not in the auto-negotiation mode | | | | | | | | | | | | | | | | | | | | | | | | | | | | | | | | | | | | | | | | | | | | | | | | | | |
| 17.12 | 10HDX | 1, RO | 10M Half Duplex Operation Mode After auto-negotiation is completed, results will be written to this bit. If this bit is 1, it means the operation 1 mode is a 10M half duplex mode. The software can read bit [15:12] to see which mode is selected after auto-negotiation. This bit is invalid when it is not in the auto-negotiation mode | | | | | | | | | | | | | | | | | | | | | | | | | | | | | | | | | | | | | | | | | | | | | | | | | | |
| 17.11-17.9 | Reserved | 0, RO | Reserved Read as 0, ignore on write | | | | | | | | | | | | | | | | | | | | | | | | | | | | | | | | | | | | | | | | | | | | | | | | | | |
| 17.8-17.4 | PHYADR[4:0] | (PHYADR), RW | PHY Address Bit 4:0 The first PHY address bit transmitted or received is the MSB of the address (bit 4). A station management entity connected to multiple PHY entities must know the appropriate address of each PHY | | | | | | | | | | | | | | | | | | | | | | | | | | | | | | | | | | | | | | | | | | | | | | | | | | |
| 17.3-17.0 | ANMB[3:0] | 0, RO | Auto-negotiation Monitor Bits These bits are for debug only. The auto-negotiation status will be written to these bits. | | | | | | | | | | | | | | | | | | | | | | | | | | | | | | | | | | | | | | | | | | | | | | | | | | |
| | | | <table border="1"> <thead> <tr> <th>b3</th> <th>b2</th> <th>b1</th> <th>B0</th> <th></th> </tr> </thead> <tbody> <tr> <td>0</td> <td>0</td> <td>0</td> <td>0</td> <td>In IDLE state</td> </tr> <tr> <td>0</td> <td>0</td> <td>0</td> <td>1</td> <td>Ability match</td> </tr> <tr> <td>0</td> <td>0</td> <td>1</td> <td>0</td> <td>Acknowledge match</td> </tr> <tr> <td>0</td> <td>0</td> <td>1</td> <td>1</td> <td>Acknowledge match fail</td> </tr> <tr> <td>0</td> <td>1</td> <td>0</td> <td>0</td> <td>Consistency match</td> </tr> <tr> <td>0</td> <td>1</td> <td>0</td> <td>1</td> <td>Consistency match fail</td> </tr> <tr> <td>0</td> <td>1</td> <td>1</td> <td>0</td> <td>Parallel detects signal_link_ready</td> </tr> <tr> <td>0</td> <td>1</td> <td>1</td> <td>1</td> <td>Parallel detects signal_link_ready fail</td> </tr> <tr> <td>1</td> <td>0</td> <td>0</td> <td>0</td> <td>Auto-negotiation completed successfully</td> </tr> </tbody> </table> | b3 | b2 | b1 | B0 | | 0 | 0 | 0 | 0 | In IDLE state | 0 | 0 | 0 | 1 | Ability match | 0 | 0 | 1 | 0 | Acknowledge match | 0 | 0 | 1 | 1 | Acknowledge match fail | 0 | 1 | 0 | 0 | Consistency match | 0 | 1 | 0 | 1 | Consistency match fail | 0 | 1 | 1 | 0 | Parallel detects signal_link_ready | 0 | 1 | 1 | 1 | Parallel detects signal_link_ready fail | 1 | 0 | 0 | 0 | Auto-negotiation completed successfully |
| b3 | b2 | b1 | B0 | | | | | | | | | | | | | | | | | | | | | | | | | | | | | | | | | | | | | | | | | | | | | | | | | | |
| 0 | 0 | 0 | 0 | In IDLE state | | | | | | | | | | | | | | | | | | | | | | | | | | | | | | | | | | | | | | | | | | | | | | | | | |
| 0 | 0 | 0 | 1 | Ability match | | | | | | | | | | | | | | | | | | | | | | | | | | | | | | | | | | | | | | | | | | | | | | | | | |
| 0 | 0 | 1 | 0 | Acknowledge match | | | | | | | | | | | | | | | | | | | | | | | | | | | | | | | | | | | | | | | | | | | | | | | | | |
| 0 | 0 | 1 | 1 | Acknowledge match fail | | | | | | | | | | | | | | | | | | | | | | | | | | | | | | | | | | | | | | | | | | | | | | | | | |
| 0 | 1 | 0 | 0 | Consistency match | | | | | | | | | | | | | | | | | | | | | | | | | | | | | | | | | | | | | | | | | | | | | | | | | |
| 0 | 1 | 0 | 1 | Consistency match fail | | | | | | | | | | | | | | | | | | | | | | | | | | | | | | | | | | | | | | | | | | | | | | | | | |
| 0 | 1 | 1 | 0 | Parallel detects signal_link_ready | | | | | | | | | | | | | | | | | | | | | | | | | | | | | | | | | | | | | | | | | | | | | | | | | |
| 0 | 1 | 1 | 1 | Parallel detects signal_link_ready fail | | | | | | | | | | | | | | | | | | | | | | | | | | | | | | | | | | | | | | | | | | | | | | | | | |
| 1 | 0 | 0 | 0 | Auto-negotiation completed successfully | | | | | | | | | | | | | | | | | | | | | | | | | | | | | | | | | | | | | | | | | | | | | | | | | |



8.10 10BASE-T Configuration/Status (10BTCSR) - 18

| Bit | Bit Name | Default | Description |
|-----------|----------|--------------|---|
| 18.15 | Reserved | 0, RO | Reserved Read as 0, ignore on write |
| 18.14 | LP_EN | 1, RW | Link Pulse Enable 1 = Transmission of link pulses enabled 0 = Link pulses disabled, good link condition forced This bit is valid only in 10Mbps operation |
| 18.13 | HBE | 1,RW | Heartbeat Enable 1 = Heartbeat function enabled 0 = Heartbeat function disabled When the DM9161B is configured for full duplex operation, this bit will be ignored (the collision/heartbeat function is invalid in full duplex mode) |
| 18.12 | SQUELCH | 1, RW | Squelch Enable 1 = Normal squelch 0 = Low squelch |
| 18.11 | JABEN | 1, RW | Jabber Enable Enables or disables the Jabber function when the DM9161B is in 10BASE-T full duplex or 10BASE-T transceiver Loopback mode 1 = Jabber function enabled 0 = Jabber function disabled |
| 18.10 | 10BT_SER | (#PIN 34),RW | 10BASE-T GPSI Mode (Default value depend on #pin34 strap condition) 1 = 10BASE-T GPSI mode selected (#pin34 pull down) 0 = 10BASE-T MII mode selected (#pin34 pull up, default) GPSI mode is not supported for 100Mbps operation |
| 18.9-18.1 | Reserved | 0, RO | Reserved Read as 0, ignore on write |
| 18.0 | POLR | 0, RO | Polarity Reversed When this bit is set to 1, it indicates that the 10Mbps cable polarity is reversed. This bit is automatically set and cleared by 10BASE-T module |

8.11 Power down Control Register (PWDOR) - 19

| Bit | Bit Name | Default | Description |
|------------|----------|---------|--|
| 19.15-19.9 | Reserved | 0, RO | Reserved Read as 0, ignore on write |
| 19.8 | PD10DRV | 0, RW | Vendor power down control test |
| 19.7 | PD100DL | 0, RW | Vendor power down control test |
| 19.6 | PDchip | 0, RW | Vendor power down control test |
| 19.5 | PDcom | 0, RW | Vendor power down control test |
| 19.4 | PDaeq | 0, RW | Vendor power down control test |
| 19.3 | PDdrv | 0, RW | Vendor power down control test |
| 19.2 | PDedi | 0, RW | Vendor power down control test |
| 19.1 | PDedo | 0, RW | Vendor power down control test |
| 19.0 | PD10 | 0, RW | Vendor power down control test |

* When selected, the power down value is control by Register 20.0



8.12 (Specified config) Register – 20

| Bit | Bit Name | Default | Description |
|-------|----------------|-------------|---|
| 20.15 | TSTSE1 | 0,RW | Vendor test select control |
| 20.14 | TSTSE2 | 0,RW | Vendor test select control |
| 20.13 | FORCE_TXSD | 0,RW | Force Signal Detect 1: force SD signal OK in 100M 0: normal SD signal. |
| 20.12 | TSTSEL3 | 0,RW | Vendor test select control |
| 20.11 | PREAMBLEX | 0,RW | Preamble Saving Control 1: 10M TX preamble bit count is normal. 0: when bit 10 is set, the 10M TX preamble count is reduced. When bit 11 of register 29 is set, 10-bit preamble bit is reduced; otherwise 20-bit preamble bits is reduced. |
| 20.10 | TX10M_PWR | 0,RW | 10M TX Power Saving Control 1: enable 10M TX power saving 0: disable 10M TX power saving |
| 20.9 | NWAY_PWR | 0,RW | N-Way Power Saving Control 1: disable N-Way power saving 0: enable N-Way power saving |
| 20.8 | Reserved | 0, RO | Reserved Read as 0, ignore on write |
| 20.7 | MDIX_CNTL | MDI/MDIX,RO | The polarity of MDI/MDIX value 1: MDIX mode 0: MDI mode |
| 20.6 | AutoNeg_dpbk | 0,RW | Auto-negotiation Loopback 1: test internal digital auto-negotiation Loopback 0: normal. |
| 20.5 | Mdix_fix Value | 0, RW | MDIX_CNTL force value: When MDIX_DOWN = 1, MDIX_CNTL value depend on the register value. |
| 20.4 | Mdix_do wn | 0,RW | MDIX Down Manual force MDI/MDIX. 1: Disable HP Auto-MDIX , MDIX_CNTL value depend on 20.5 0: Enable HP Auto-MDIX |
| 20.3 | MonSel1 | 0,RW | Vendor monitor select |
| 20.2 | MonSel0 | 0,RW | Vendor monitor select |
| 20.1 | RMII_Ver | 0,RW | RMII version 1: support RMII 1.0 0: support RMII 1.2 |
| 20.0 | PD_value | 0,RW | Power down control value Decision the value of each field Register 19. 1: power down 0: normal |

8.13 DAVICOM Specified Interrupt Register – 21

| Bit | Bit Name | Default | Description |
|-------------|-----------|---------|---|
| 21.15 | INTR PEND | 0, RO | Interrupt Pending Indicates that the interrupt is pending and is cleared by the current read. This bit shows the same result as bit 0. (INTR Status) |
| 21.14-21.12 | Reserved | 0, RO | Reserved |



DM9161B

10/100 Mbps Fast Ethernet Physical Layer Single Chip Transceiver

| | | | |
|-----------|-------------|----------|--|
| 21.11 | FDX mask | 1, RW | Full-duplex Interrupt Mask When this bit is set, the Duplex status change will not generate the interrupt |
| 21.10 | SPD mask | 1, RW | Speed Interrupt Mask When this bit is set, the Speed status change will not generate the interrupt |
| 21.12 | LINK mask | 1, RW | Link Interrupt Mask When this bit is set, the link status change will not generate the interrupt |
| 21.8 | INTR mask | 1, RW | Master Interrupt Mask When this bit is set, no interrupts will be generated under any condition |
| 21.7-21.5 | Reserved | 0, RO | Reserved |
| 21.4 | FDX change | 0,RO/LH | Duplex Status Change Interrupt "1" indicates a change of duplex since last register read. A read of this register will clear this bit |
| 21.3 | SPD change | 0, RO/LH | Speed Status Change Interrupt "1" indicates a change of speed since last register read. A read of this register will clear this bit |
| 21.2 | LINK change | 0, RO/LH | Link Status Change Interrupt "1" indicates a change of link since last register read. A read of this register will clear this bit |
| 21.1 | Reserved | 0, RO | Reserved |
| 21.0 | INTR status | 0, RO/LH | Interrupt Status The status of MDINTR#. "1" indicates that the interrupt mask is off that one or more of the change bits are set. A read of this register will clear this bit |

8.14 DAVICOM Specified Receive Error Counter Register (RECR) – 22

| Bit | Bit Name | Default | Description |
|---------|-------------|---------|---|
| 22.15-0 | Rcv_Err_Cnt | 0, RO | Receive Error Counter Receive error counter that increments upon detection of RXER. Clean by read this register. |

8.15 DAVICOM Specified Disconnect Counter Register (DISCR) – 23

| Bit | Bit Name | Default | Description |
|------------|--------------------|---------|---|
| 23.15-23.8 | Reserved | 0, RO | Reserved |
| 23.7-23.0 | Disconnect Counter | 0, RO | Disconnect Counter those increments upon detection of disconnection. Clean by read this register. |

8.16 DAVICOM Hardware Reset Latch State Register (RLSR) – 24

| Bit | Bit Name | Default | Description |
|-------|------------|---------|--------------------------------|
| 24.15 | LH_LEDMODE | 1,RO | LEDMODE pin reset latch value |
| 24.14 | LH_MDINTR | 1,RO | MDINTR pin reset latch value |
| 24.13 | LH_CSTS | 0,RO | CABLESTS pin reset latch value |
| 24.12 | LH_ISO | 0,RO | TXCLK pin reset latch value |
| 24.11 | LH_RMII | 0,RO | COL pin reset latch value |
| 24.10 | LH_TP10SER | 1,RO | RXCLK pin reset latch value |
| 24.9 | LH_REPTR | 0,RO | RXER pin reset latch value |
| 24.8 | LH_TSTMOD | 0,RO | RXDV pin reset latch value |
| 24.7 | LH_OP2 | 1,RO | LED2 pin reset latch value |
| 24.6 | LH_OP1 | 1,RO | LED1 pin reset latch value |
| 24.5 | LH_OP0 | 1,RO | LED0 pin reset latch value |
| 24.4 | LH_PH4 | 0,RO | CRS pin reset latch value |
| 24.3 | LH_PH3 | 0,RO | RXD3 pin reset latch value |
| 24.2 | LH_PH2 | 0,RO | RXD2 pin reset latch value |
| 24.1 | LH_PH1 | 0,RO | RXD1 pin reset latch value |
| 24.0 | LH_PH0 | 0,RO | RXD0 pin reset latch value |

8.17 Power Saving Control Register (PSCR) – 29

| Bit | Bit Name | Default | Description |
|----------|-----------|---------|---|
| 29.15-12 | RESERVED | 0,RO | reserved |
| 29.11 | PREAMBLEX | 0,RW | Preamble Saving Control When bit 10 of register 20 is cleared and bit 11 of register 20 is set, the 10M TX preamble count is reduced. 1: 10-bit preamble bit is reduced. 0: 20-bit preamble bits is reduced. |
| 29.10 | AMPLITUDE | 0,RW | 10M TX Amplitude Control Disabled 1: disable TX amplitude reduce function 0: when cable is unconnected with link partner, the TX amplitude is reduced for power saving. |
| 29.9 | TX_PWR | 0,RW | TX Power Saving Control Disabled 1: disable TX driving power saving function 0: when cable is unconnected with link partner, the driving current of transmit is reduced for power saving. |
| 29.8-0 | RESERVED | 0,RO | reserved |



DM9161B

10/100 Mbps Fast Ethernet Physical Layer Single Chip Transceiver

9. DC and AC Electrical Characteristics

9.1 Absolute Maximum Ratings (25°C)

| Symbol | Parameter | Min. | Max. | Unit | Conditions |
|------------------|--|------|------|------|------------|
| DVDD, | Supply Voltage | -0.3 | 3.6 | V | |
| V _{IN} | DC Input Voltage (V _{IN}) | -0.5 | 5.5 | V | |
| V _{OUT} | DC Output Voltage(V _{OUT}) | -0.3 | 3.6 | V | |
| T _{stg} | Storage Temperature Rang (T _{stg}) | -65 | +150 | °C | |
| LT | Lead Temp. (TL, Soldering, 10 sec.) | - | +260 | °C | DM9161BEP |

9.2 Operating Conditions

| Symbol | Parameter | Min. | Typ. | Max. | Unit | Conditions |
|---------------------------|---------------------|-------|---------|-------|------|--------------------|
| DVDD | Supply Voltage | 3.135 | 3.300 | 3.465 | V | |
| T _A | Ambient Temperature | 0 | - | +70 | °C | |
| PD (Power Dissipation) | 100BASE-TX | - | 130 | - | mA | 3.3V |
| | 10BASE-T TX. | - | 168(61) | - | mA | 3.3V(power saving) |
| | Auto-negotiation | - | 58 | - | mA | 3.3V |
| | Power Down Mode | - | 17 | - | mA | 3.3V |

Comments

Stresses above those listed under “Absolute Maximum Ratings” may cause permanent damage to the device. These are stress ratings only. Functional operation of this device at these or any other

conditions above those indicated that in the operational sections of this specification is not implied. Exposure to absolute maximum rating conditions for extended periods may affect device reliability.



9.3 DC Electrical Characteristics (DVDD = 3.3V)

| Symbol | Parameter | Min. | Typ. | Max. | Unit | Conditions |
|---|--------------------------------------|------|------|------|------|--------------------------|
| TTL Inputs (TXD0~TXD3, TXCLK, MDC, MDIO, TXEN, TXER, RXEN, TESTMODE, RMII, PHYAD0~4, OPMODE0-2, RPTR, RESET#) | | | | | | |
| V _{IL} | Input Low Voltage | - | - | 0.8 | V | |
| V _{IH} | Input High Voltage | 2.0 | - | - | V | |
| I _{IL} | Input Low Leakage Current | - | - | 1 | uA | V _{IN} = 0.4V |
| I _{IH} | Input High Leakage Current | -1 | - | | uA | V _{IN} = 2.7V |
| V _{OL} | Output Low Voltage | - | - | 0.4 | V | I _{OL} = 4mA |
| V _{OH} | Output High Voltage | 2.4 | - | - | V | I _{OH} = -4mA |
| Receiver | | | | | | |
| V _{ICM} | RX+/RX- Common mode Input Voltage | - | 1.8 | - | V | 100 Ω Termination Across |
| Transmitter | | | | | | |
| V _{TD100} | 100TX+/- Differential Output Voltage | 1.9 | 2.0 | 2.1 | V | Peak to Peak |
| V _{TD10} | 10TX+/- Differential Output Voltage | 4.4 | 5 | 5.6 | V | Peak to Peak |
| I _{TD100} | 100TX+/- Differential Output Current | 19 | 20 | 21 | mA | |
| I _{TD10} | 10TX+/- Differential Output Current | 44 | 50 | 56 | mA | |

9.4 AC Electrical Characteristics & Timing Waveforms

9.4.1 TP Interface

| Symbol | Parameter | Min. | Typ. | Max. | Unit | Conditions |
|-------------------|--|------|------|------|------|------------|
| t _{TR/F} | 100TX+/- Differential Rise/Fall Time | 3.0 | - | 5.0 | ns | |
| t _{TM} | 100TX+/- Differential Rise/Fall Time Mismatch | 0 | - | 0.5 | ns | |
| t _{TDC} | 100TX+/- Differential Output Duty Cycle Distortion | 0 | - | 0.5 | ns | |
| t _{T/T} | 100TX+/- Differential Output Peak-to-Peak Jitter | 0 | - | 1.4 | ns | |
| XOST | 100TX+/- Differential Voltage Overshoot | 0 | - | 5 | % | |

9.4.2 Oscillator/Crystal Timing

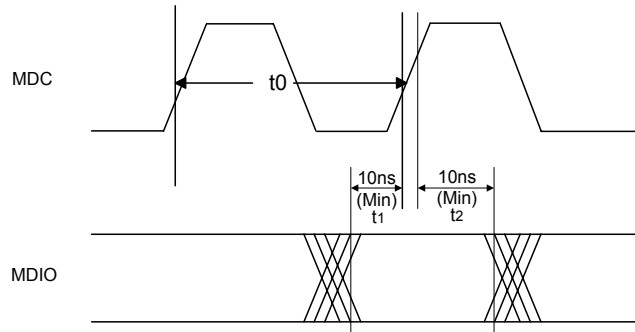
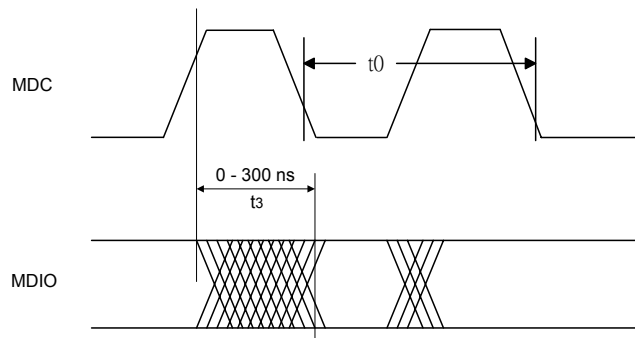
| Symbol | Parameter | Min. | Typ. | Max. | Unit | Conditions |
|------------------|----------------------|--------|------|--------|------|------------|
| | OSC Frag | 24.998 | 25 | 25.001 | mhz | 50ppm |
| t _{CKC} | OSC Cycle Time | 39.998 | 40 | 40.002 | ns | 50ppm |
| t _{PWH} | OSC Pulse Width High | 16 | 20 | 24 | ns | |
| t _{PWL} | OSC Pulse Width Low | 16 | 20 | 24 | ns | |

9.4.3 Power On Reset Timing


| Symbol | Parameter | Min. | Typ. | Max. | Unit | Conditions |
|--------|---------------------------------|------|------|------|------|------------|
| T1 | RESET# Low Period | 1 | - | - | ms | - |
| T2 | Strap pin hold time with RESET# | 40 | - | - | ns | - |

9.4.4 MDC/MDIO Timing

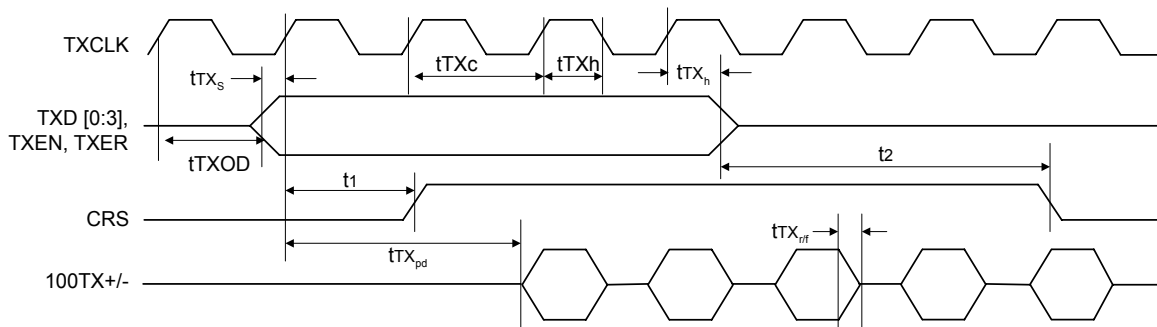
| Symbol | Parameter | Min. | Typ. | Max. | Unit | Conditions |
|--------|--------------------------|------|------|------|------|------------------------|
| t_0 | MDC Cycle Time | 80 | - | - | ns | |
| t_1 | MDIO Setup Before MDC | 10 | - | - | ns | When OUTPUT By STA |
| t_2 | MDIO Hold After MDC | 10 | - | - | ns | When OUTPUT By STA |
| t_3 | MDC To MDIO Output Delay | 0 | - | 300 | ns | When OUTPUT By DM9161B |

9.4.5 MDIO Timing When OUTPUT by STA

9.4.6 MDIO Timing When OUTPUT by DM9161B


9.4.7 100BASE-TX Transmit Timing Parameters

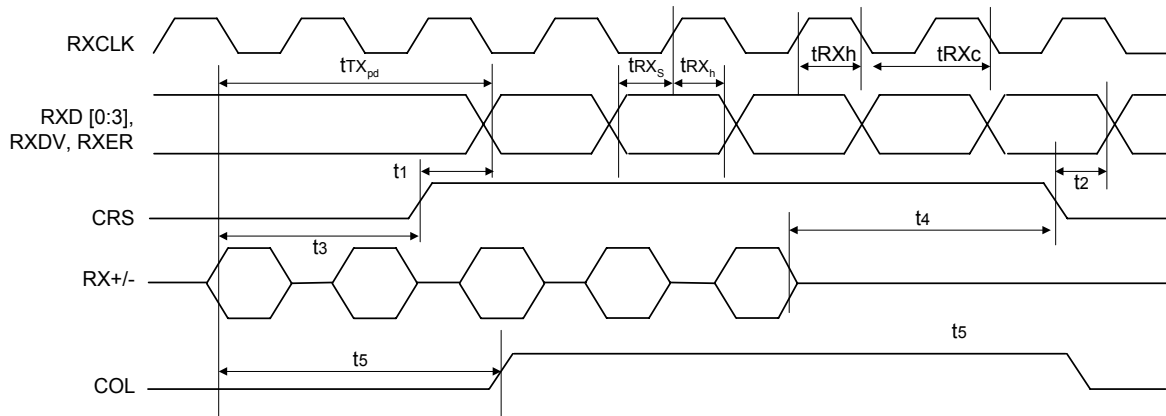
| Symbol | Parameter | Min. | Typ. | Max. | Unit | Conditions |
|--------------------|--|--------|------|--------|------|--------------------------------------|
| t_{TXc} | TXCLK Cycle Time | 39.998 | 40 | 40.002 | ns | 50ppm |
| t_{TXh}, t_{TXl} | TXCLK High/Low Time | 16 | 20 | 24 | ns | |
| t_{TXs} | TXD [0:3], TXEN, TXER Setup To TXCLK High | 12 | - | - | ns | |
| t_{TXh} | TXD [0:3], TXEN, TXER Hold From TXCLK High | 0 | - | - | ns | |
| t_{TXOD} | TXCLK to Output Delay | | | 25 | ns | |
| t_1 | TXEN Sampled To CRS Asserted | - | 4 | - | BT | |
| t_2 | TXEN Sampled To CRS De-asserted | - | 4 | - | BT | |
| t_{TXpd} | TXEN Sampled To TX+/- Out (Tx Latency) | - | 8 | - | BT | |
| t_{TXrff} | 100TX Driver Rise/Fall Time | 3 | 4 | 5 | ns | 90% To 10%, Into 100ohm Differential |

Note 1. Typical values are at 25°C and are for design aid only; not guaranteed and not subject to production testing.

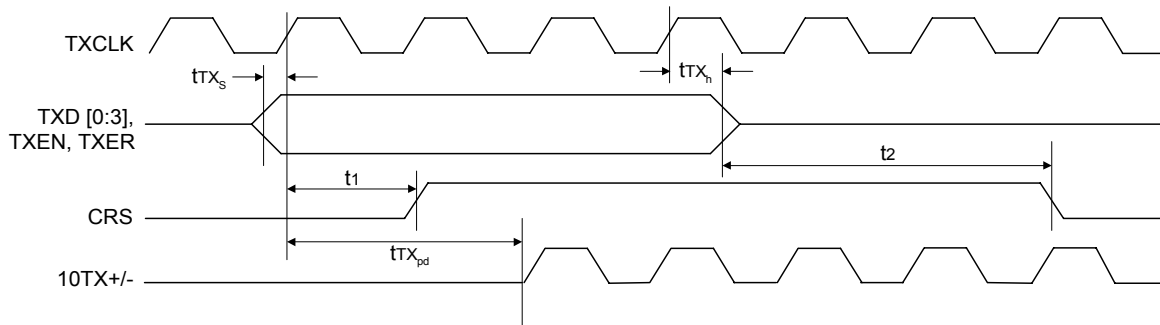
9.4.8 100BASE-TX Transmit Timing Diagram

9.4.9 100BASE-TX Receive Timing Parameters

| Symbol | Parameter | Min. | Typ. | Max. | Unit | Conditions |
|--------------------|--|--------|------|--------|------|------------|
| t_{RXc} | RXCLK Cycle Time | 39.998 | 40 | 40.002 | | 50ppm |
| t_{RXh}, t_{RXl} | RXCLK High/Low Time | 16 | 20 | 24 | | |
| t_{RXs} | RXD [0:3], RXDV, RXER Setup To RXCLK High | 10 | - | - | ns | |
| t_{RXh} | RXD [0:3], RXDV, RXER Hold From RXCLK High | 10 | - | - | ns | |
| t_{RXpd} | RX+/- In To RXD [0:3] Out (Rx Latency) | - | 15 | - | BT | |
| t_1 | CRS Asserted To RXD [0:3], RXDV, RXER | - | 4 | - | BT | |
| t_2 | CRS De-asserted To RXD [0:3], RXDV, RXER | - | 0 | - | BT | |
| t_3 | RX+/- In To CRS Asserted | 10 | - | 14 | BT | |
| t_4 | RX+/- Quiet To CRS De-asserted | 14 | - | 18 | BT | |
| t_5 | RX+/- In To COL De-Asserted | 14 | - | 18 | BT | |

¹. Typical values are at 25°C and are for design aid only; not guaranteed and not subject to production testing.

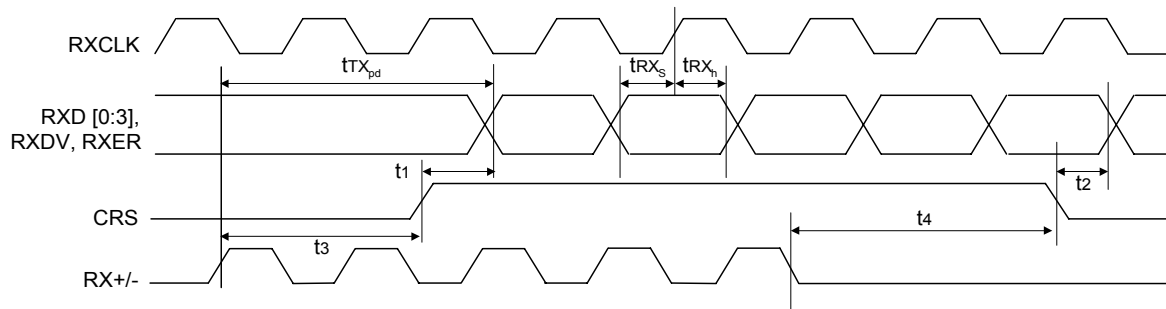
9.4.10 MII 100BASE-TX Receive Timing Diagram

9.4.11 MII 10BASE-T Nibble Transmit Timing Parameters

| Symbol | Parameter | Min. | Typ. | Max. | Unit | Conditions |
|---------------|---|------|------|------|------|------------|
| t_{TX_s} | TXD[0:3], TXEN, TXER Setup To TXCLK High | 5 | - | - | ns | |
| t_{TX_h} | TXD[0:3], TXEN, TXER Hold From TXCLK High | 5 | - | - | ns | |
| t_1 | TXEN Sampled To CRS Asserted | - | 2 | 4 | BT | |
| t_2 | TXEN Sampled To CRS De-asserted | - | 15 | 20 | BT | |
| $t_{TX_{pd}}$ | TXEN Sampled To 10TXO Out (Tx Latency) | - | 2 | 4 | BT | |

9.4.12 MII 10BASE-T Nibble Transmit Timing Diagram


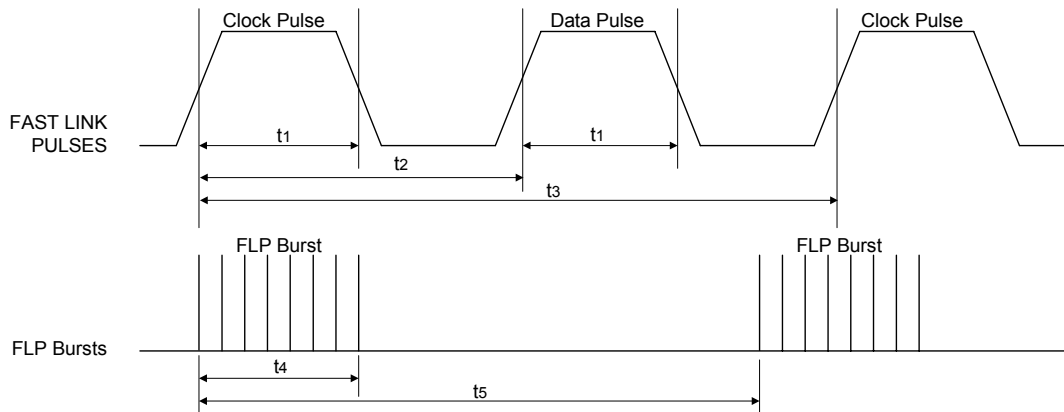
9.4.13 MII 10BASE-T Receive Nibble Timing Parameters

| Symbol | Parameter | Min. | Typ. | Max. | Unit | Conditions |
|---------------|---|------|------|------|------|------------|
| t_{RX_s} | RXD [0:3], RXDV, RXER Setup To RXCLK High | 5 | - | - | ns | |
| t_{RX_h} | RXD [0:3], RXDV, RXER Hold From RXCLK High | 5 | - | - | ns | |
| $t_{RX_{pd}}$ | RX+/- To RXD [0:3] Out (Rx Latency) | - | 7 | - | BT | |
| t_1 | CRS Asserted To RXD [0:3], RXDV, RXER, Asserted | 1 | 14 | 20 | BT | |
| t_2 | CRS De-asserted To RXD [0:3], RXDV, RXER, De-asserted | - | - | 3 | BT | |
| t_3 | RXI In To CRS Asserted | 1 | 2 | 4 | BT | |
| t_4 | RXI Quiet To CRS De-asserted | 1 | 10 | 15 | BT | |

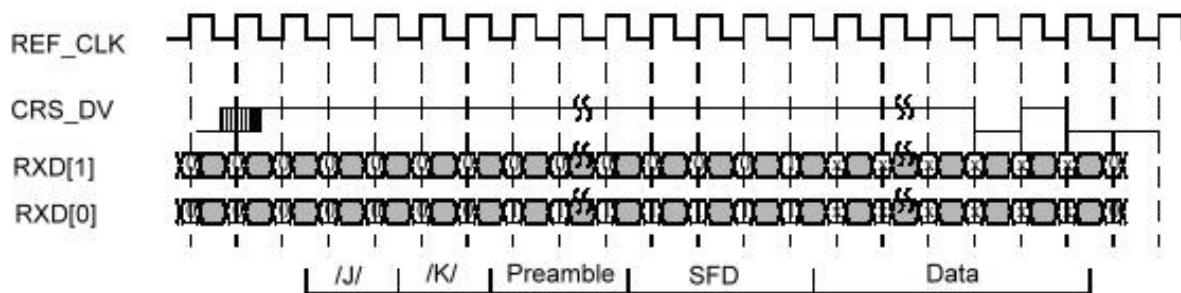
9.4.14 MII 10BASE-T Receive Nibble Timing Diagram

9.4.15 Auto-negotiation and Fast Link Pulse Timing Parameters

| Symbol | Parameter | Min. | Typ. | Max. | Unit | Conditions |
|--------|-----------------------------------|------|------|------|-------|------------|
| t_1 | Clock/Data Pulse Width | - | 100 | - | ns | |
| t_2 | Clock Pulse To Data Pulse Period | 55.5 | 62.5 | 69.5 | us | DATA = 1 |
| t_3 | Clock Pulse To Clock Pulse Period | 111 | 125 | 139 | us | |
| t_4 | FLP Burst Width | - | 2 | - | ms | |
| t_5 | FLP Burst To FLP Burst Period | 8 | - | 24 | ms | |
| - | Clock/Data Pulses in a Burst | 17 | - | 33 | pulse | |

9.4.16 Auto-negotiation and Fast Link Pulse Timing Diagram

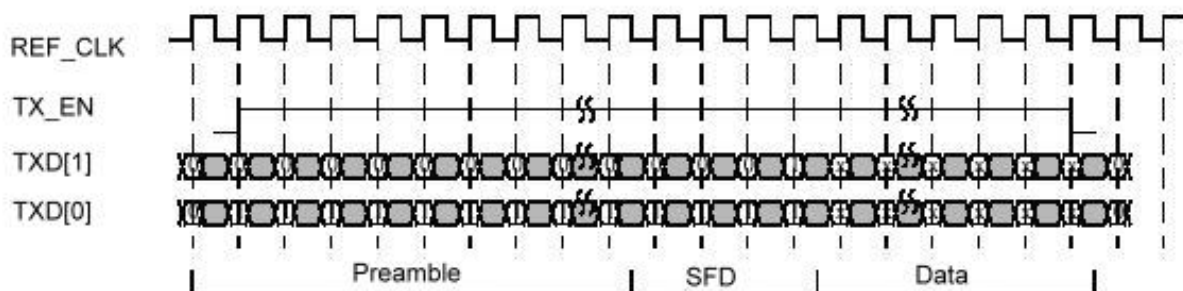


9.4.17 RMII Receive Timing Diagram

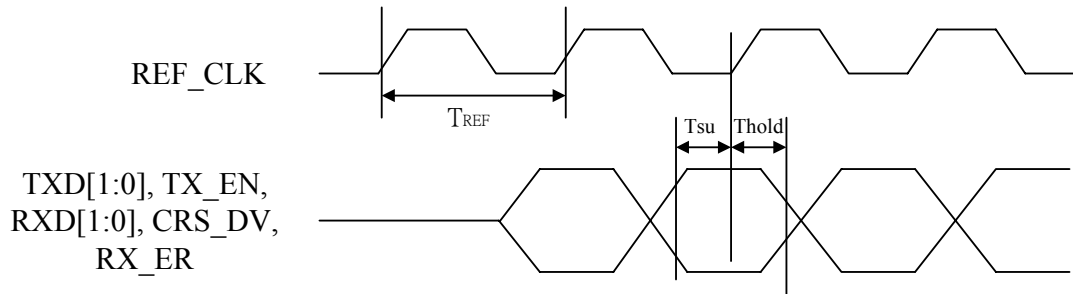


100 Mb/s Reception with no errors

9.4.18 RMII Transmit Timing Diagram



100 Mb/s Transmission

9.4.19 RMII Timing Diagram

9.4.20 RMII Timing Parameter

| Symbol | Parameter | Min. | Typ. | Max. | Unit | Conditions |
|--------|--|---------|------|---------|------|-------------------|
| Fref | REF_CLK Frequency | 49.9985 | 50 | 50.0015 | MHz | 30ppm (1.5KHZ) |
| Tref% | REF_CLK Duty Cycle | 35 | - | 65 | % | |
| Tref | REF_CLK Clock Cycle | | 20 | - | ns | 30ppm |
| Tsu | TXD[1:0], TX_EN, RXD[1:0], CRS_DV, RX_ER Data Setup to REF_CLK rising edge | 4 | - | - | ns | |
| Thold | TXD[1:0], TX_EN, RXD[1:0], CRS_DV, RX_ER Data hold from REF_CLK rising edge | 2 | - | - | ns | |



DM9161B

10/100 Mbps Fast Ethernet Physical Layer Single Chip Transceiver

9.4.21 Magnetic Selection Guide

Refer to Table 2 for transformer requirements. Transformers, meeting these requirements, are available from a variety of magnetic manufacturers. Designers should test and qualify all magnetic before

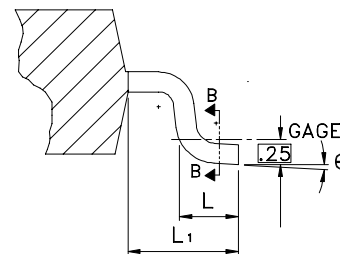
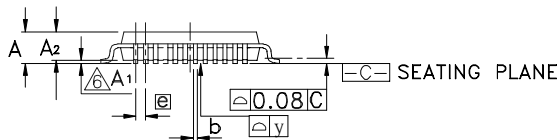
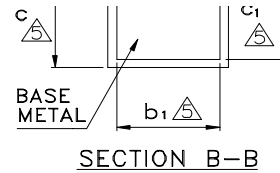
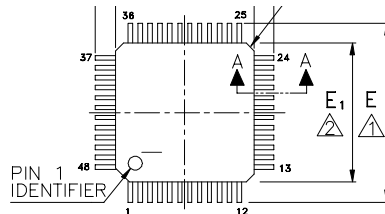
using them in an application. The transformers listed in Table 2 are electrical equivalents, but may not be pin-to-pin equivalents.

| Manufacturer | Part Number |
|-------------------|-------------------------------------|
| Pulse Engineering | PE-68515, H1102 |
| YCL | PH163112, PH163539 |
| DELTA | LFE8505-DC , LFE8563-DC, LFE8583-DC |
| GTS | FC-618SM |
| MACOM | HS9016, HS9024 |

10. Package Information

LQFP 48L (F.P. 2mm) Outline Dimensions

unit: inches/mm



SECTION A-A

| Symbol | Dimensions in inches | | | Dimensions in mm | | |
|--------|----------------------|-------|-------|------------------|------|------|
| | Min. | Nom. | Max. | Min. | Nom. | Max. |
| A | - | - | 0.063 | - | - | 1.60 |
| A1 | 0.002 | - | 0.006 | 0.05 | - | 0.15 |
| A2 | 0.053 | 0.055 | 0.057 | 1.35 | 1.40 | 1.45 |
| b | 0.007 | 0.009 | 0.011 | 0.17 | 0.22 | 0.27 |
| b1 | 0.007 | 0.008 | 0.009 | 0.17 | 0.20 | 0.23 |
| C | 0.004 | - | 0.008 | 0.09 | - | 0.20 |
| C1 | 0.004 | - | 0.006 | 0.09 | - | 0.16 |
| D | 0.354BSC | | | 9.00BSC | | |
| D1 | 0.276BSC | | | 7.00BSC | | |
| E | 0.354BSC | | | 9.00BSC | | |
| E1 | 0.276BSC | | | 7.00BSC | | |
| e | 0.020BSC | | | 0.50BSC | | |
| L | 0.018 | 0.024 | 0.030 | 0.45 | 0.60 | 0.75 |
| L1 | 0.039REF | | | 1.00REF | | |
| y | 0.003MAX | | | 0.08MAX | | |
| Θ | 0-12° | | | 0-12° | | |

Notes:

- To be determined at seating plane.
- Dimensions D1 and E 1do not include mold protrusion. D1 and E1 are maximum plastic body size dimensions including mold mismatch.
- Dimensions b does not include dambar protrusion. Total in excess of the b dimension at maximum material condition. Dambar cannot be located on the lower radius of the foot.
- Exact shape of each corner is optional.
- These dimensions apply to the flat section of the lead between 0.10mm and 0.25mm from the lead tip.
- A1 is defined as the distance from the seating plane to the lowest point of the package body.
- Controlling dimension: millimeter.
- Reference documents: JEDEC MS-026, BBC.



DM9161B

10/100 Mbps Fast Ethernet Physical Layer Single Chip Transceiver

11. Order Information

| Part Number | Pin Count | Package |
|-------------|-----------|---------------|
| DM9161BEP | 48 | LQFP(Pb-Free) |

Disclaimer

The information appearing in this publication is believed to be accurate. Integrated circuits sold by DAVICOM Semiconductor are covered by the warranty and patent indemnification, and the provisions stipulated in the terms of sale only. DAVICOM makes no warranty, express, statutory, implied or by description, regarding the information in this publication or regarding the freedom of the described chip(s) from patent infringement. FURTHER, DAVICOM MAKES NO WARRANTY OF MERCHANTABILITY OR FITNESS FOR ANY PURPOSE. DAVICOM reserves the right to halt production or alter the specifications and prices at any time without notice. Accordingly, the reader is cautioned to verify that the data sheets and other information in this publication are current before placing orders. Products described herein are intended for use in normal commercial applications. Applications involving unusual environmental or reliability requirements, e.g. military equipment or medical life support equipment, are specifically not recommended without additional processing by DAVICOM for such applications. Please note that application circuits illustrated in this document are for reference purposes only. DAVICOM's terms and conditions printed on the order

Contact Windows

For additional information about DAVICOM products, contact the sales department at:

Headquarters

Hsin-chu Office:

No.6 Li-Hsin Rd. VI, Science-Based
Industrial Park, Hsin-Chu, Taiwan, R.O.C.

[Tel] +886-3-5798797

[Fax] +886-3-6669831

acknowledgment govern all sales by DAVICOM. DAVICOM will not be bound by any terms inconsistent with these unless DAVICOM agrees otherwise in writing. Acceptance of the buyer's orders shall be based on these terms.

Company Overview

DAVICOM Semiconductor, Inc. develops and manufactures integrated circuits for integration into data communication products. Our mission is to design and produce IC products that are the industry's best value for Data, Audio, Video, and Internet/Intranet applications. To achieve this goal, we have built an organization that is able to develop chipsets in response to the evolving technology requirements of our customers while still delivering products that meet their cost requirements.

Products

We offer only products that satisfy high performance requirements and which are compatible with major hardware and software standards. Our currently available and soon to be released products are based on our proprietary designs and deliver high quality, high performance chipsets that comply with modern communication standards and Ethernet networking standards.

WARNING

Conditions beyond those listed for the absolute maximum may destroy or damage the products. In addition, conditions for sustained periods at near the limits of the operating ranges will stress and may temporarily (and permanently) affect and damage structure, performance and/or function.