

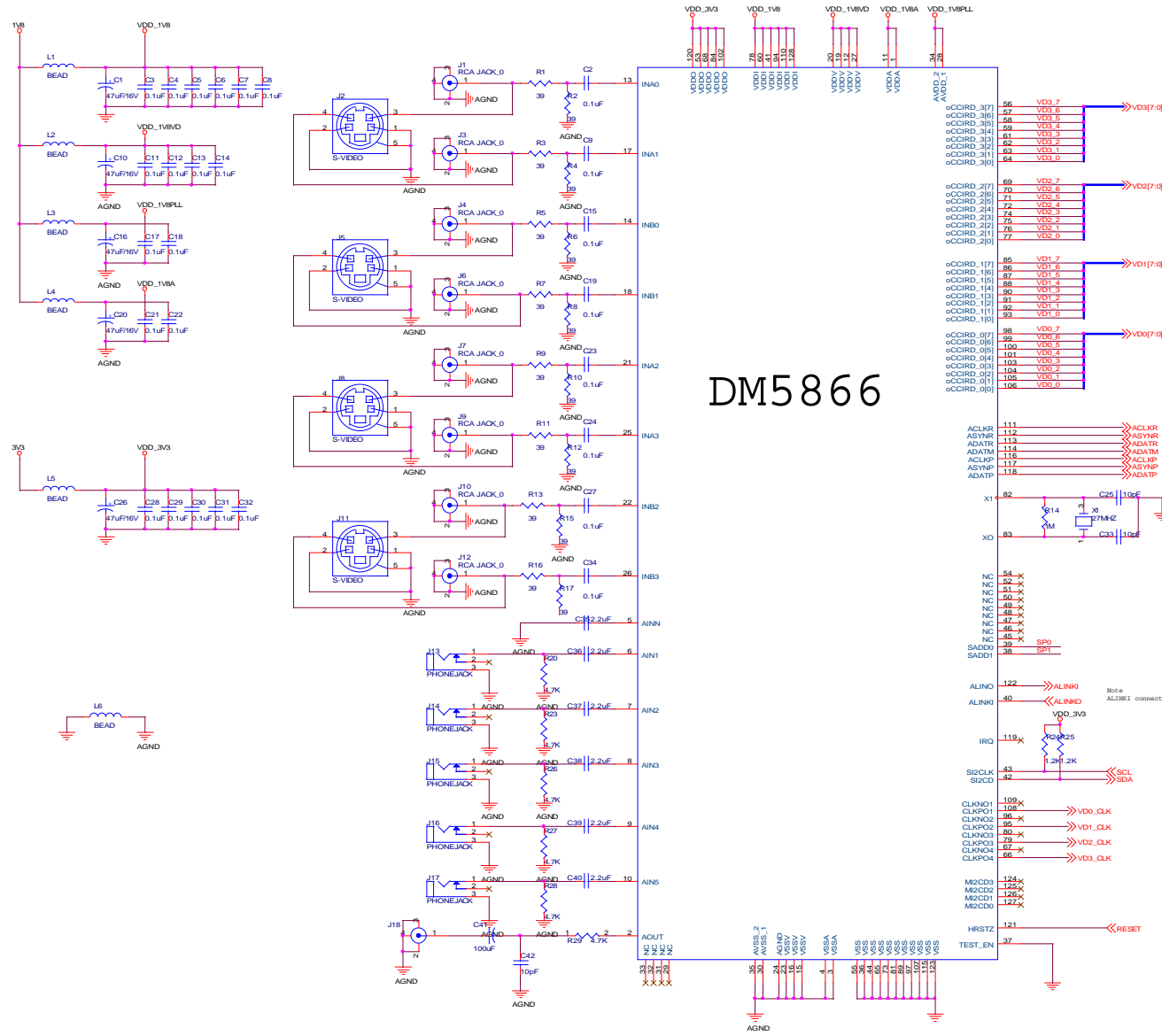
# DM5866

- ~ 4 Channel 960H Video Decoder
- ~ Pin Compatible with TW2865

**DAVICOM Semiconductor, Inc.**

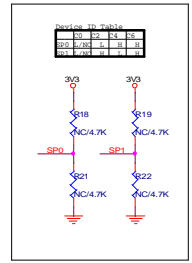
Title		
DM5866_REF		
Size	Document Number	Rev
A4	DM5866	1.01
Date:	Thursday, May 02, 2013	Sheet 1 of 3

# DM5866



- Note:
1. VD0[7:0] & VDD\_CLK走線盡量等長
  2. VD1[7:0] & VDD\_CLK走線盡量等長
  3. VD2[7:0] & VDD\_CLK走線盡量等長
  4. VD3[7:0] & VDD\_CLK走線盡量等長

	27/36MHz	TDM54/72	TDM108/144
oCCIRD_0[7:0]	V	V	V
oCCIRD_1[7:0]	V	V	
oCCIRD_2[7:0]	V		
oCCIRD_3[7:0]	V		



VER	DATE	ENGINEER	NOTE
1.0	03/25/2013	CONNOR HONG	NEW CIRCUIT DM5866
1.01	05/02/2013	CONNOR HONG	ADD THE TABLE OF DATA OUTPUT AVAILIBLE WITH FUNCTION

**DAVICOM Semiconductor, Inc.**

Title DM5866_REF		
Size A4	Document Number HISTORY	Rev 1.01
Date: Thursday, May 02, 2013		Sheet 3 of 3