


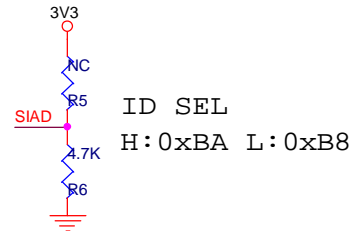
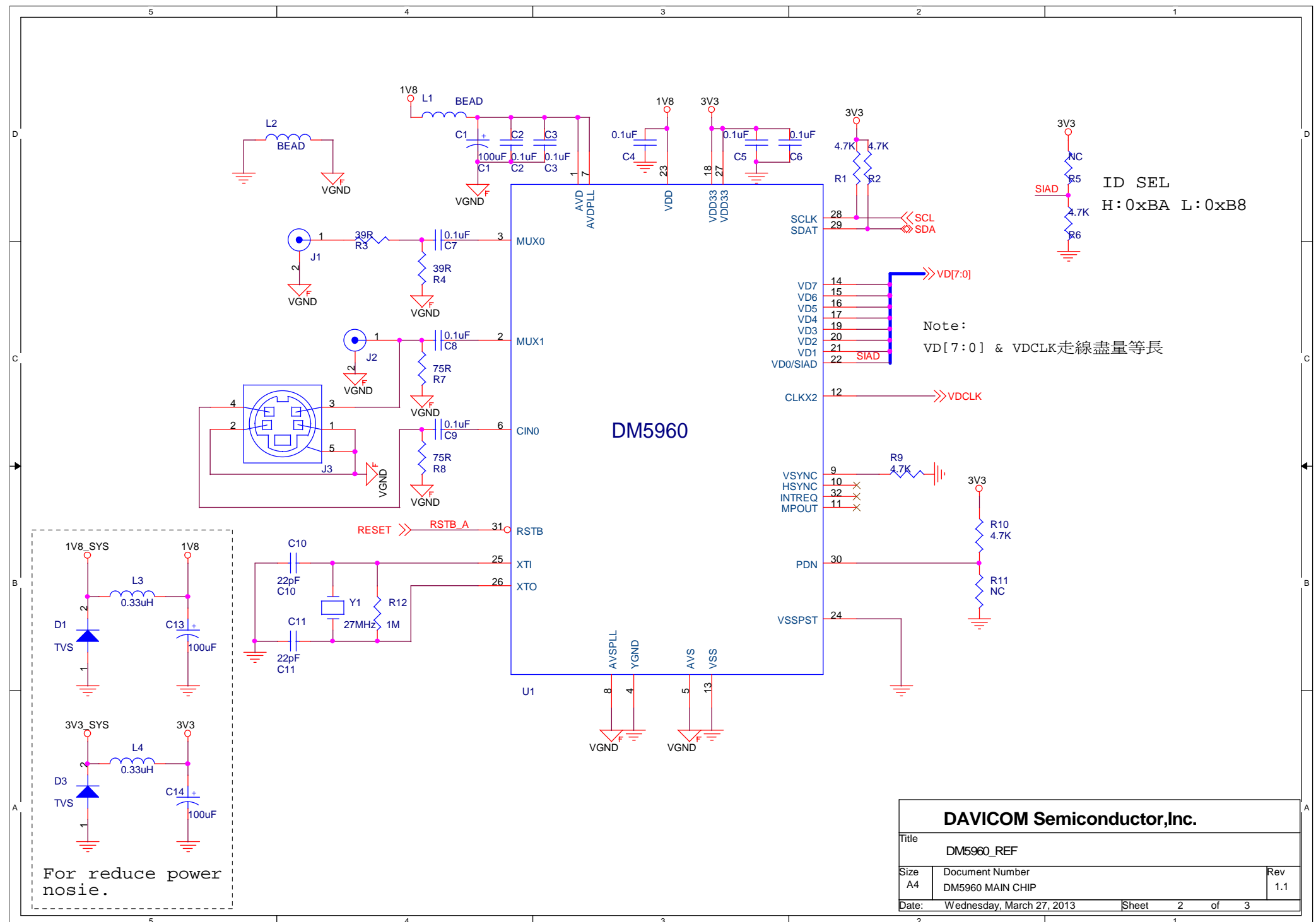
# DM5960

~ 1 Channel 960H & 720H Video Decoder

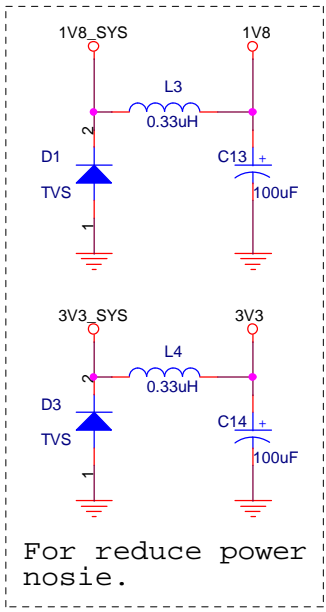
~ Pin Compatible with TW9960

**DAVICOM Semiconductor, Inc.**

Title	
DM5960_REF	
Size	Document Number
A4	DM5960
Date:	Wednesday, March 27, 2013
Sheet	1 of 3
Rev	



Note:  
VD[7:0] & VDCLK走線盡量等長



<b>DAVICOM Semiconductor, Inc.</b>		
Title DM5960_REF		
Size A4	Document Number DM5960 MAIN CHIP	Rev 1.1
Date: Wednesday, March 27, 2013	Sheet 2	of 3

VER	DATE	ENGINEER	NOTE
1.0	03/22/2013	CONNOR HONG	NEW CIRCUIT DM5960
1.1	01/26/2016	CONNOR HONG	Add circuit for reduce power noise

**DAVICOM Semiconductor, Inc.**

Title DM5960_REF		
Size A4	Document Number HISTORY	Rev 1.1
Date: Wednesday, March 27, 2013 Sheet 3 of 3		