

# DM5886

~ 4 Channel 960H Video Decoder

~ Integrate multichannel decoders  
with functional mixer

**DAVICOM Semiconductor, Inc.**

Title

DM5886\_REF

Size

A4

Document Number

DM5886

Rev

2.0

Date:

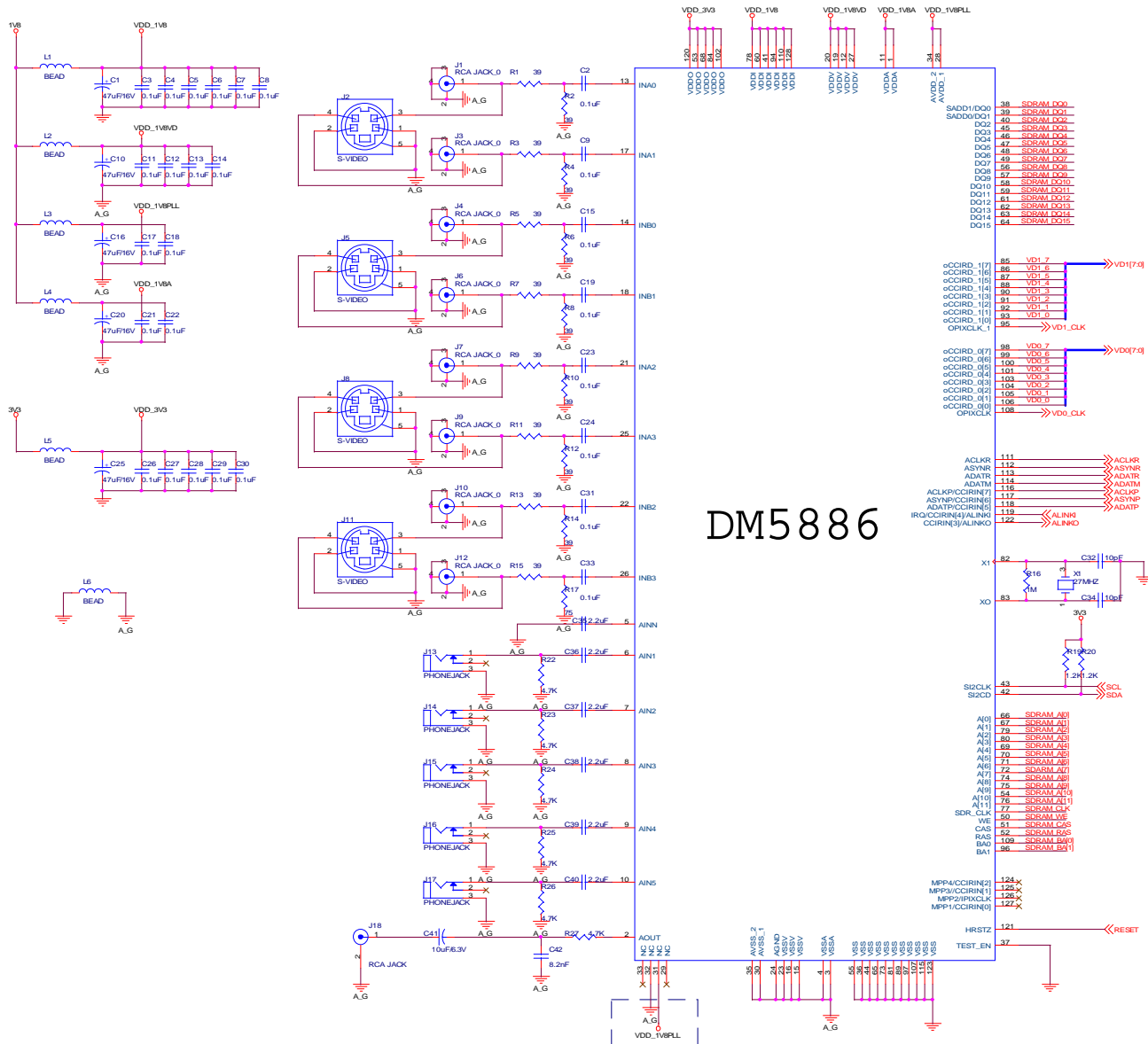
Monday, November 24, 2014

Sheet

1

of

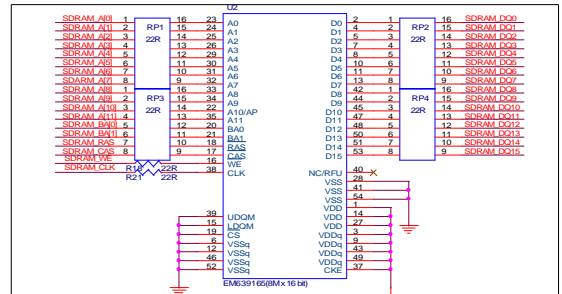
3



# DM5886

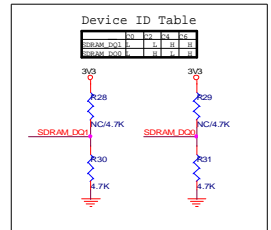
~ DM5885 PLL power supply co-lay  
 ~ Please set value 0x0c at Reg 0x6A when using DM5885

Note:  
 ~ HD Mode : VD0[7:0] & VD1[7:0] & VD0\_CLK走線盡量等長  
 ~ SD Mode : 1. VD0[7:0] & VD0\_CLK走線盡量等長  
 2. VD1[7:0] & VD1\_CLK走線盡量等長



## 8M x 16bitSDRAM INTERFACE

Put the SDRAM as tight as possible to DM5886



VER	DATE	ENGINEER	NOTE
1.0	03/25/2013	CONNOR HONG	NEW CIRCUIT DM5886
2.0	08/30/2013	CONNOR HONG	Add DM5885 PLL power supply circuit
2.1	11/24/2014	CONNOR HONG	Modify Device ID trapping table: L/NC->L

**DAVICOM Semiconductor, Inc.**

Title		
DM5886_REF		
Size	Document Number	Rev
A4	HISTORY	2.0
Date:	Monday, November 24, 2014	Sheet 3 of 3