

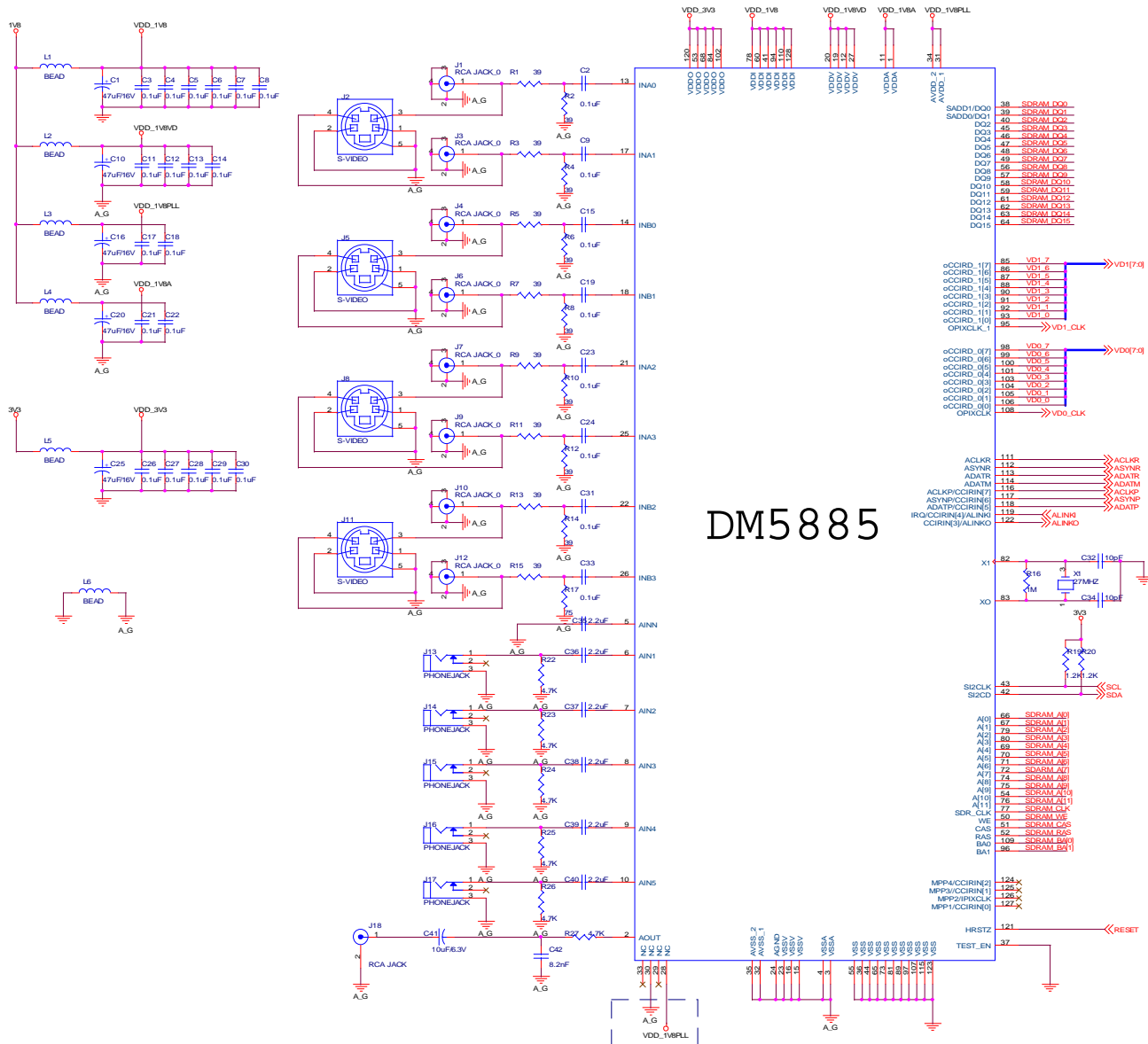
DM5885

~ 4 Channel 720H Video Decoder

~ Integrate multichannel decoders
with functional mixer

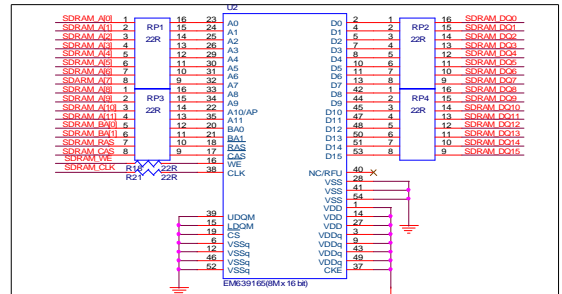
DAVICOM Semiconductor, Inc.

Title		
DM5885_REF		
Size	Document Number	Rev
A4	DM5885	2.0
Date:	Tuesday, December 23, 2014	Sheet 1 of 3



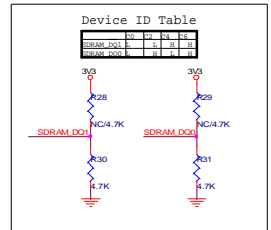
~ DM5886 PLL power supply co-lay
 ~ Please set value 0x0c at Reg 0x6A when using DM5886

Note:
 ~ HD Mode : VD0[7:0] & VD1[7:0] & VD0_CLK走線盡量等長
 ~ SD Mode : 1. VD0[7:0] & VD0_CLK走線盡量等長
 2. VD1[7:0] & VD1_CLK走線盡量等長



8M x 16bitSDRAM INTERFACE

Put the SDRAM as tight as possible to DM5885



VER	DATE	ENGINEER	NOTE
1.0	03/25/2013	CONNOR HONG	NEW CIRCUIT DM5885
2.0	08/30/2013	CONNOR HONG	Add DM5886 PLL power supply circuit
2.1	11/24/2014	CONNOR HONG	Modify Device ID trapping table: L/NC->L

DAVICOM Semiconductor, Inc.

Title		
DM5885_REF		
Size	Document Number	Rev
A4	HISTORY	2.0
Date:	Thursday, December 11, 2014	Sheet 3 of 3