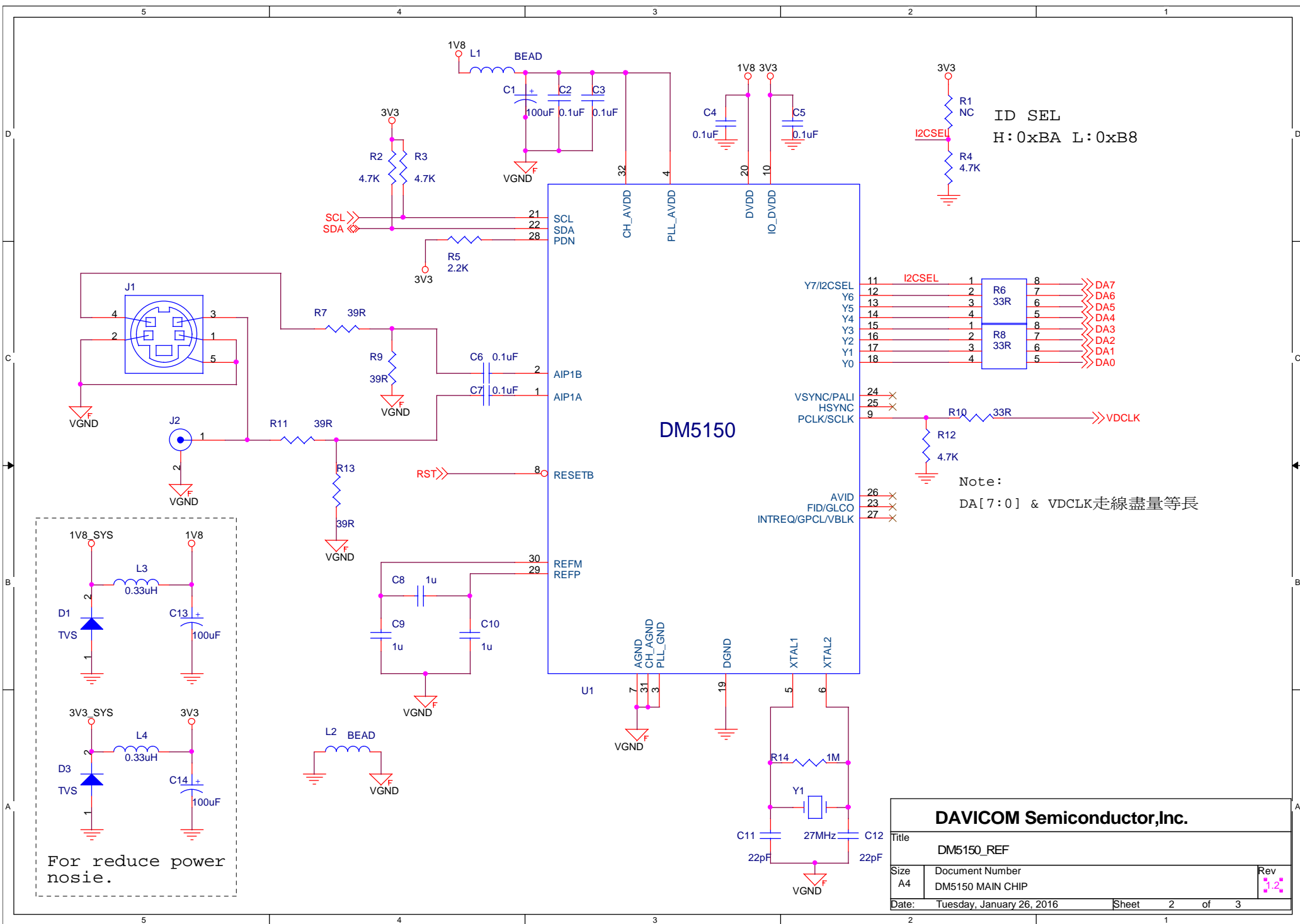


DM5150

- ~ 1 Channel 720H Video Decoder
- ~ Pin Compatible with TVP5150

DAVICOM Semiconductor, Inc.	
Title DM5150_REF	
Size A4	Document Number DM5150
Date: Tuesday, January 26, 2016	Sheet 1 of 3





ID SEL
H: 0xBA L: 0xB8


Note:
DA[7:0] & VDCLK走線盡量等長

For reduce power nosie.

DAVICOM Semiconductor, Inc.		
Title DM5150_REF		
Size A4	Document Number DM5150 MAIN CHIP	Rev
Date: Tuesday, January 26, 2016	Sheet 2	of 3

VER	DATE	ENGINEER	NOTE
1.0	03/22/2013	CONNOR HONG	NEW CIRCUIT DM5150
1.1	01/06/2014	CONNOR HONG	C11 & C12 connect to AGND
1.2	01/26/2016	CONNOR HONG	Add circuit for reduce power noise

DAVICOM Semiconductor, Inc.

Title		DM5150_REF	
Size	Document Number	Rev	
A4	HISTORY		
Date:	Tuesday, January 26, 2016	Sheet	3 of 3