

## **DAVICOM Semiconductor, Inc.**

---

### **DM130160**

**15V / 30V Selectable Output &  
162 Hi-V Channels Driver IC**

**DATA SHEET**

*Preliminary*

*Version: DM130160-11-MCO-DS-P01*

*August 31, 2016*

## Content

<b>1</b>	<b>General Description</b> .....	<b>3</b>
<b>2</b>	<b>Features</b> .....	<b>4</b>
<b>3</b>	<b>Block Diagram</b> .....	<b>5</b>
<b>4</b>	<b>PAD Diagram</b> .....	<b>6</b>
<b>5</b>	<b>Pin Description</b> .....	<b>7</b>
<b>6</b>	<b>Function Description</b> .....	<b>8</b>
6.1	Generate Hi-V Driving Bias Supply .....	8
6.1.1	Internal Charge Pump Supply .....	8
6.1.2	External Driving Bias Supply for pumping .....	9
6.2	Multi-drivers Application .....	10
6.3	EPD Driver Control Register .....	12
6.4	Control Signal Waveform .....	14
6.4.1	Format of One Byte .....	14
6.4.2	SPI Control Waveform .....	16
6.4.3	Com & Segment vs. Control Signal .....	17
<b>7</b>	<b>Operating Rating</b> .....	<b>22</b>
<b>8</b>	<b>Absolute Maximum Ratings</b> .....	<b>22</b>
<b>10</b>	<b>Ordering Information</b> .....	<b>23</b>

## 1 General Description

The DM130160 consist of DC-DC Hi-V charge pump for EPD (Electrophoretic display) application. User can chose 15V or 30V to drive EPD. All the functions are controlled by 2-wires serial interface or SPI interface. DM130160 support synchronous serial signal interface (Maximum 4 chips cascable).

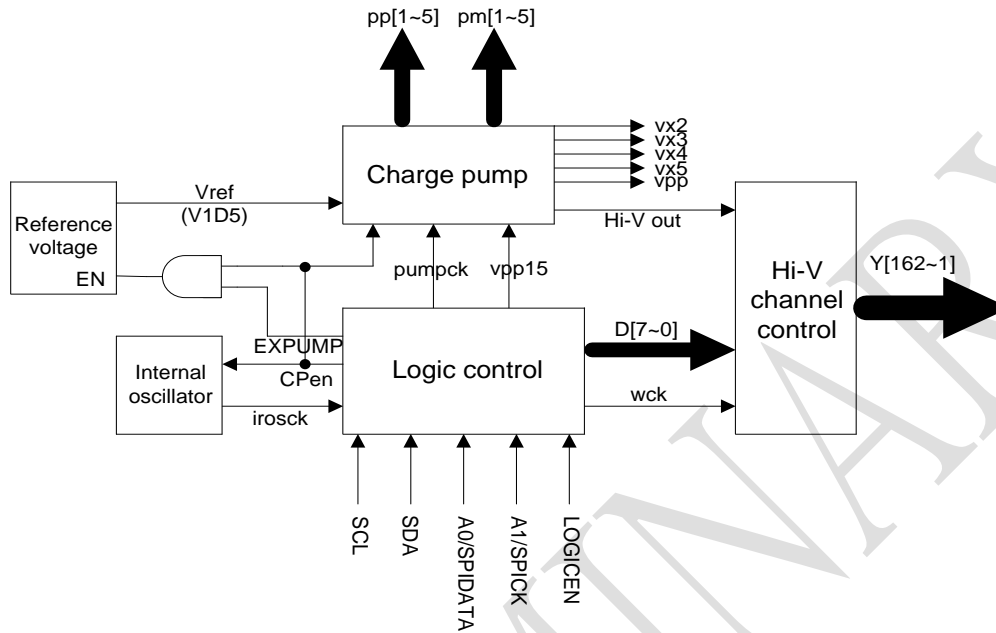
PRELIMINARY

## 2 Features

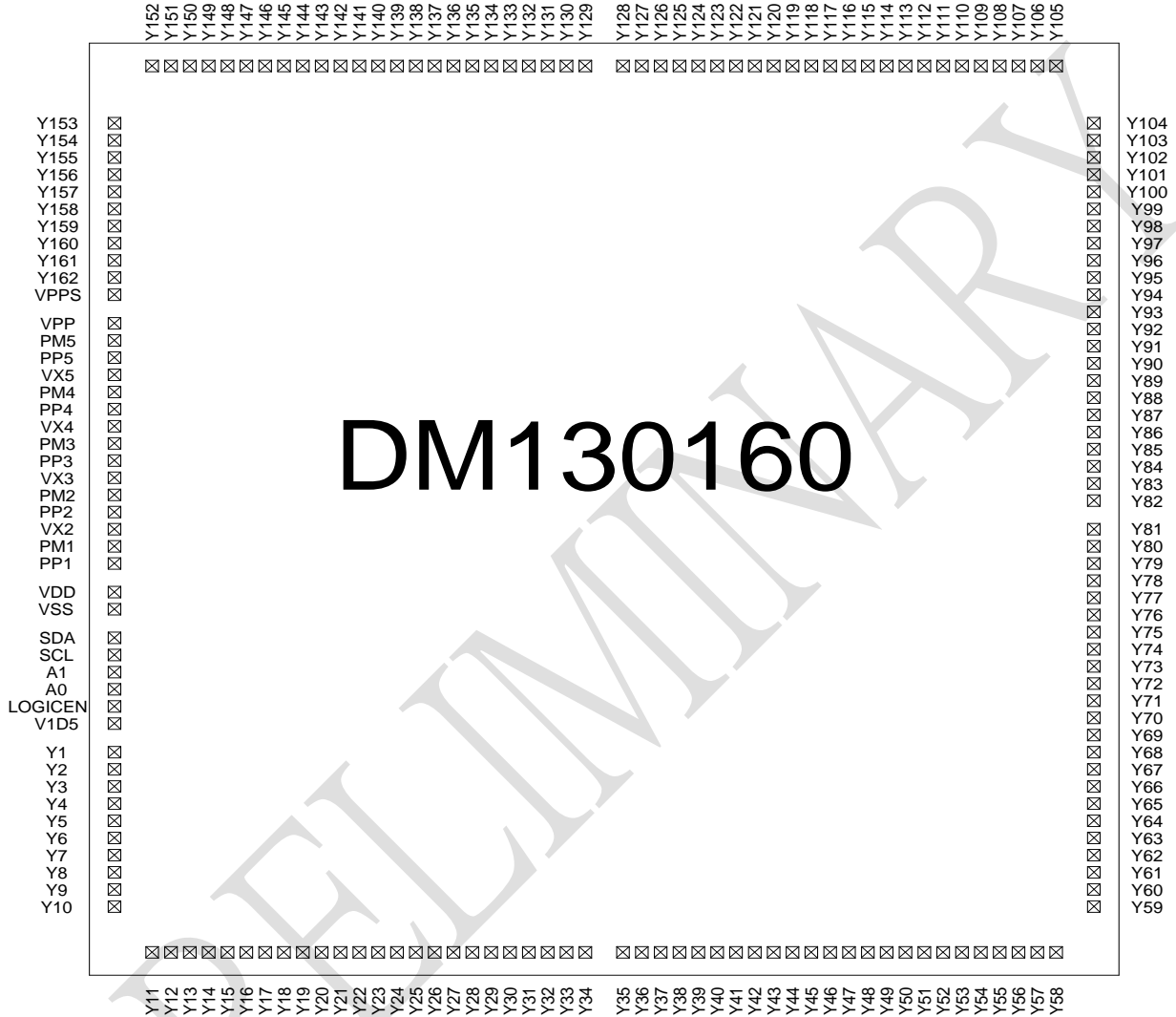
- Operating voltage 2.2V ~ 5.5V
- Selectable 15V or 30V driving voltage for EPD
- 160 SEG + 1 COM + 1 Background
- DC-DC charge pump circuit
- ON chip RC oscillator
- 2-wire serial interface
- SPI interface control
- Voltage regulator
- Synchronous serial signal interface (Maximum 4 chips cascadable)

PRELIMINARY

### 3 Block Diagram



## 4 PAD Diagram



**5 Pin Description**

PIN NAME	Description
SCL	2-wires serial interface clock input
SDA / SPIEN	2-wires serial interface data input or SPIEN pin
A1 / SPICK	Device ID setting bit1 or SPICK pin
A0 / SPIDATA	Device ID setting bit0 or SPIDATA pin
LOGICEN	Select the control interface LOGICEN=1 2-wires serial interface LOGICEN=0 SPI interface
VPP	Charge pump output pin about 30v
VPPS	Power source of EPD channels (IN)
VX5	Charge pump output pin about 15v
VX4	Charge pump output pin about 7.5v
VX3	Charge pump output pin about 5v
VX2	Charge pump output pin about 2.5v
PP[1:5]	Positive terminal for charge pump capacitor
PM[1:5]	Negative terminal for charge pump capacitor
Y[1:162]	EPD Hi-V channels
VDD	Positive power source
VSS	Negative power source
V1D5	Charge pump reference Voltage

Note : SCL & SDA need pull high resistor 4.7K $\Omega$  to VDD  
V1D5 needs connect to 0.1uF to VSS

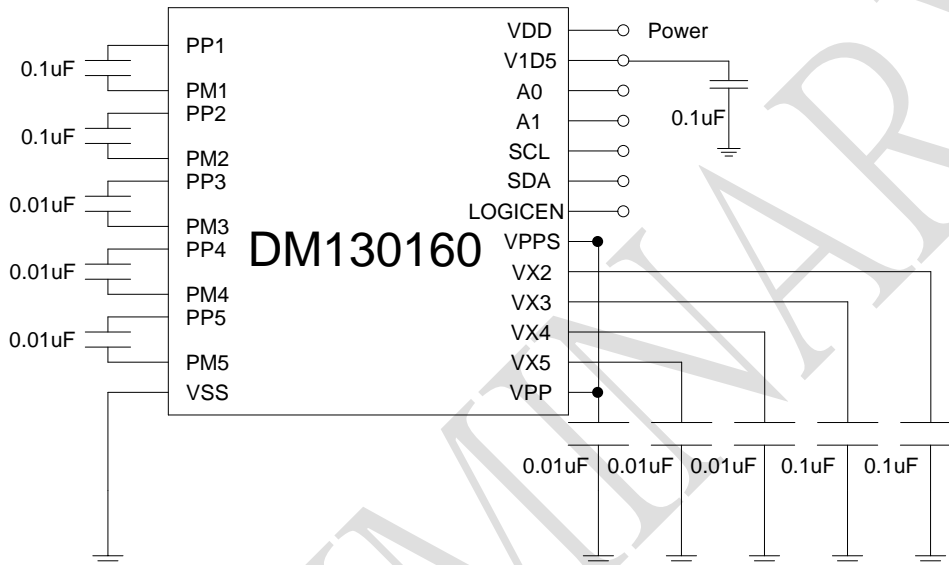
## 6 Function Description

### 6.1 Generate Hi-V Driving Bias Supply

#### 6.1.1 Internal Charge Pump Supply – 30V

The charge pump circuit can generate Hi-voltage up to 30V. User also can select 0V, 15V or 30V to drive EPD by hardware connection.

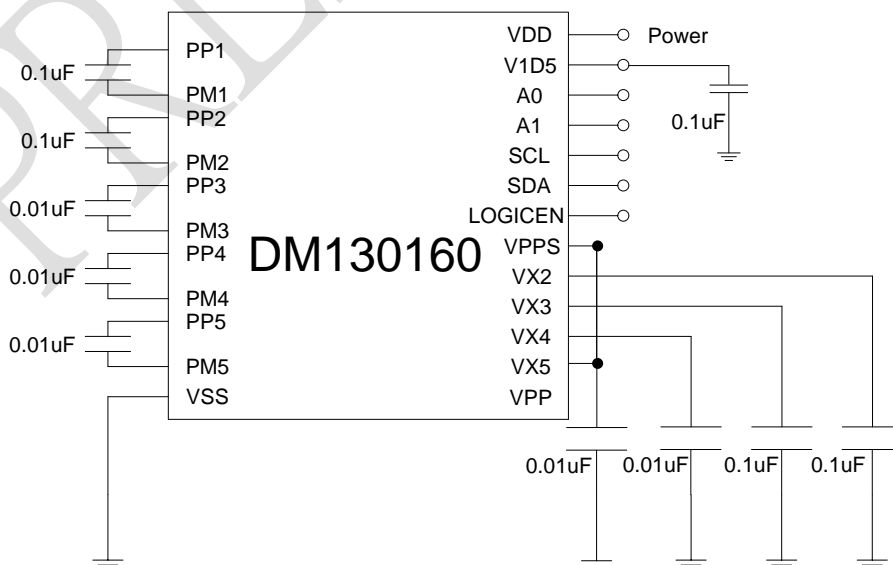
The value of Hi-voltage that pump can generate as following.  
 $V_{PP}=30V$ ,  $V_{X5}=15V$ ,  $V_{SS}=0V$



#### 6.1.2 Internal Charge Pump Supply – 15V

The charge pump circuit can generate Hi-voltage up to 30V. User also can select 0V, 15V or 30V to drive EPD by hardware connection.

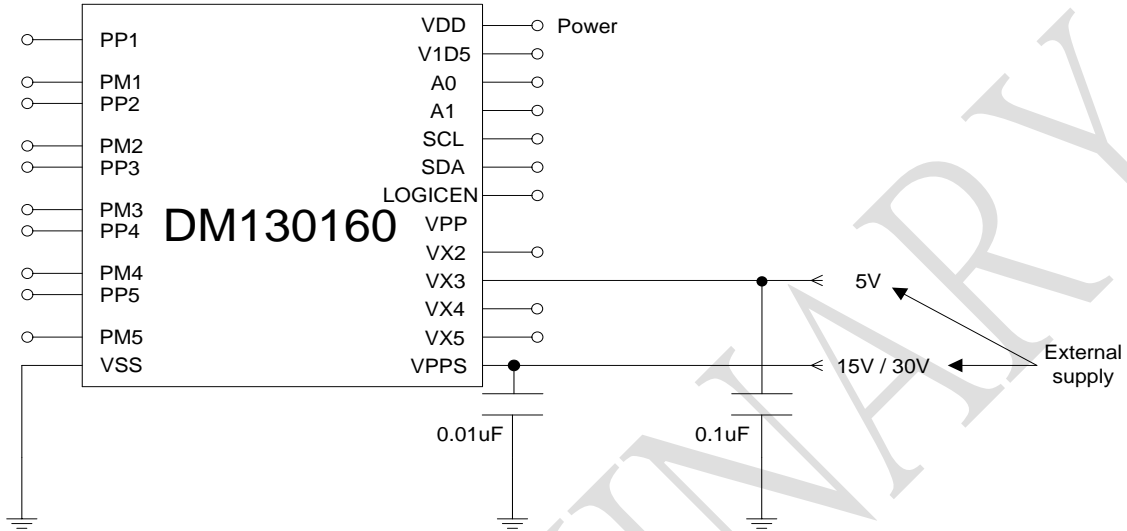
The value of Hi-voltage that pump can generate as following.  
 $V_{X5}=15V$ ,  $V_{SS}=0V$





### 6.1.3 External Driving Bias Supply for pumping

External power source supply to VPPS & VX3. First, user need to turn off internal pump function then supply 15V/30V to VPPS, 5V to VX3

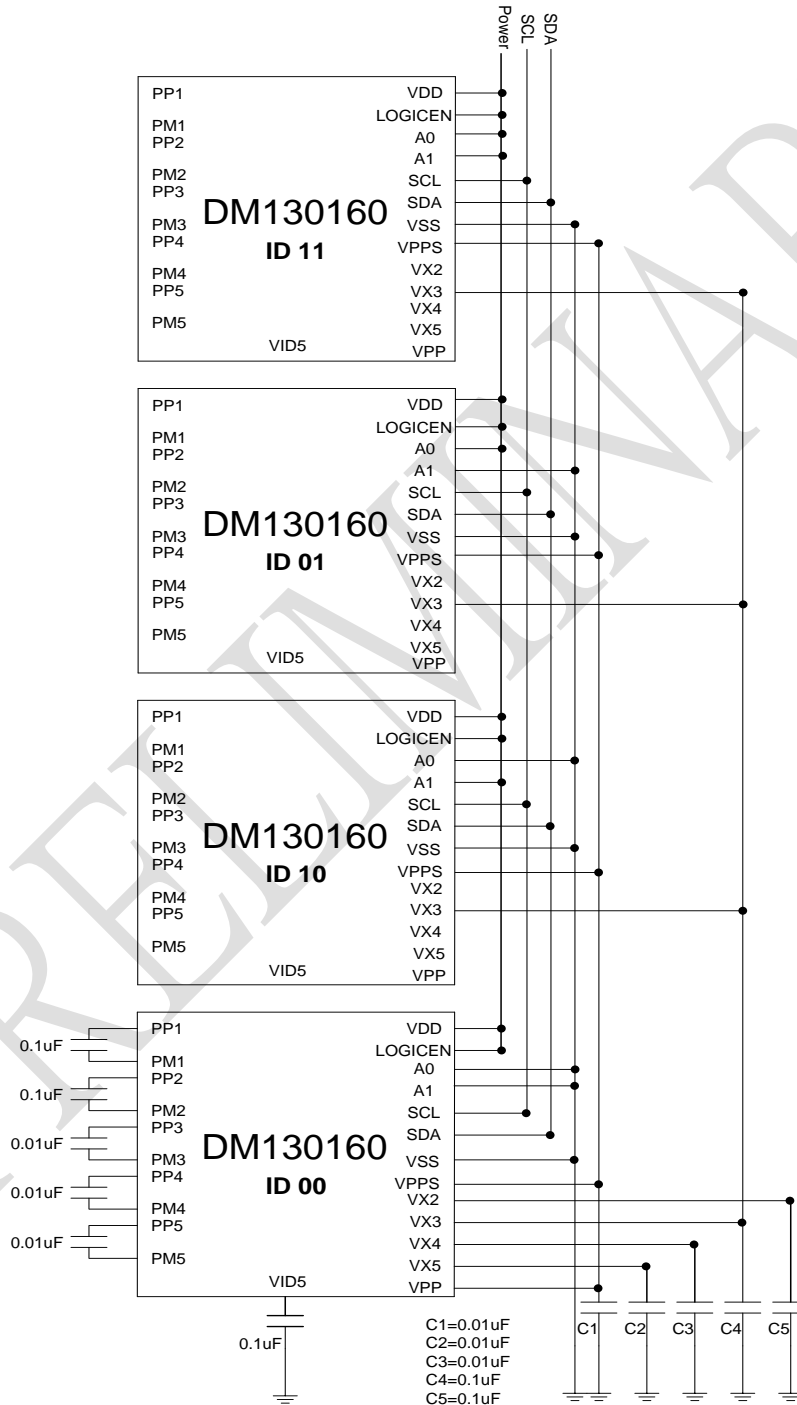


## 6.2 Multi-drivers Application

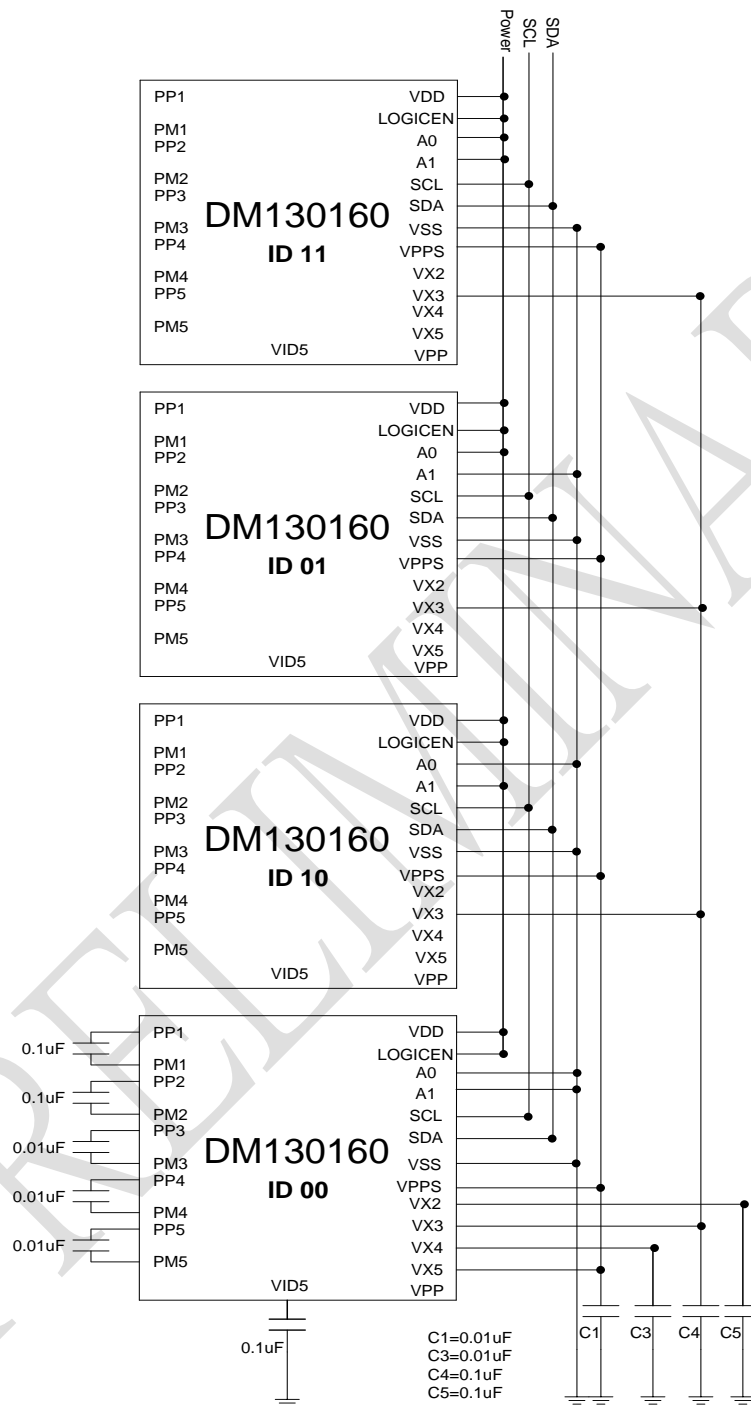
With 2-wires serial interface that the host device could control DM130160. (A1,A0) pins correspond the ID setting (Maximum support 4 chips). ID setting see the following figure.

Note: SPI don't support Multi-drivers application.

### Internal charge pump supply-30V



## Internal Charge Pump Supply – 15V



**6.3 EPD Driver Control Register**

REGISTER Address	Data							
	Bit7	Bit6	Bit5	Bit4	Bit3	Bit2	Bit1	Bit0
\$00H	Y8	Y7	Y6	Y5	Y4	Y3	Y2	Y1
\$01H	Y16	Y15	Y14	Y13	Y12	Y11	Y10	Y9
\$02H	Y24	Y23	Y22	Y21	Y20	Y19	Y18	Y17
\$03H	Y32	Y31	Y30	Y29	Y28	Y27	Y26	Y25
\$04H	Y40	Y39	Y38	Y37	Y36	Y35	Y34	Y33
\$05H	Y48	Y47	Y46	Y45	Y44	Y43	Y42	Y41
\$06H	Y56	Y55	Y54	Y53	Y52	Y51	Y50	Y49
\$07H	Y64	Y63	Y62	Y61	Y60	Y59	Y58	Y57
\$08H	Y72	Y71	Y70	Y69	Y68	Y67	Y66	Y65
\$09H	Y80	Y79	Y78	Y77	Y76	Y75	Y74	Y73
\$0AH	Y88	Y87	Y86	Y85	Y84	Y83	Y82	Y81
\$0BH	Y96	Y95	Y94	Y93	Y92	Y91	Y90	Y89
\$0CH	Y104	Y103	Y102	Y101	Y100	Y99	Y98	Y97
\$0DH	Y112	Y111	Y110	Y109	Y108	Y107	Y106	Y105
\$0EH	Y120	Y119	Y118	Y117	Y116	Y115	Y114	Y113
\$0FH	Y128	Y127	Y126	Y125	Y124	Y123	Y122	Y121
\$10H	Y136	Y135	Y134	Y133	Y132	Y131	Y130	Y129
\$11H	Y144	Y143	Y142	Y141	Y140	Y139	Y138	Y137
\$12H	Y152	Y151	Y150	Y149	Y148	Y147	Y146	Y145
\$13H	Y160	Y159	Y158	Y157	Y156	Y155	Y154	Y153
\$14H	#	#	#	#	#	#	Y162	Y161
\$15H	CPEN	C3	VPP15	C2	Load	C1	VSEL1	VSEL0

Y1~Y162 output setting :

Y1~Y160 mapping to segment pins

Y161 correspond to COM(Common) pin

Y162 correspond to BG(Background) pin

The output voltage (0V,15V,30V) for Y[1~162] are selectable.

If user want Y[1~162] to output 30V or 15V. Setting the correspond bit to "1"

If user want Y[1~162] to output 0V. Setting the correspond bit to "0"

Example :

If users wants Y9, Y11, Y13, Y15 output VPP and Y10, Y12, Y14, Y16 output "0V"

Register \$01H = 01010101

Register "\$15h" bit7 "CPEN": Charge pump on / off

CPEN=1 , charge pump enable

CPEN=0 , charge pump disable

Register "\$15h" bit6 "C3" : Internal test parameter C3. User has to set up "0" here.

Register "\$15h" bit5 "VPP15" : Half VPP output switch

VPP15=1 : Hi-V channels logic high will output VX5, the voltage equal to half VPP.

VPP15=0 : Hi-V channels logic high will output VPP.

Register"\$15h" bit4 "C2": Internal test parameter "C2". Set up "0" here for recommendation.

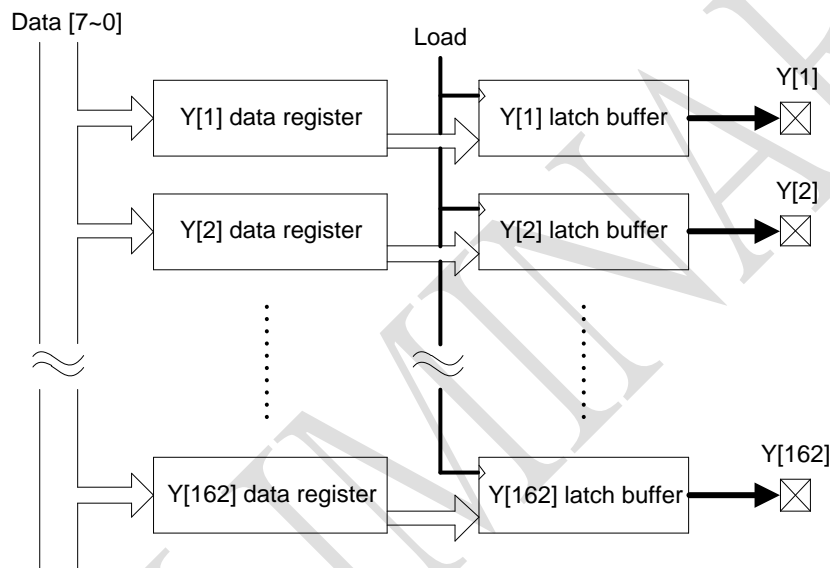
Register"\$15h" bit3 "Load" : Load data from Y[1~162] and then latch out for synchronous

Load=1 : Load data from Y[1~162] to output buffer

Load=0 : Latch the buffer and output

### Output synchronous

For the reason of output synchronous that user have to set up \$15h, bit3 = 0 first. This step will load the data Y [1~162] from register[\$00h~\$14h] into each buffer. And then set up \$15h, bit3 = 1 for the next step. Y [1~162] latch buffers will latch and output the data synchronous.



**Note:**

The data hold time for this bit should be over "1us". That means, customer set up register \$15h.bit3 =1 for latching output then wait over 1us that will be available for next data.

Register"\$15h" bit2 "C1": Internal test parameter "C1". Set up "0" here for recommendation.

Register"\$15h" bit0~1 "VSEL0~1" : Adjustable internal reference voltage

All the selections are shown as below:

VSEL[1 : 0]	V1D5
00	1.5V
01	1.6V
10	1.7V
11	1.8V

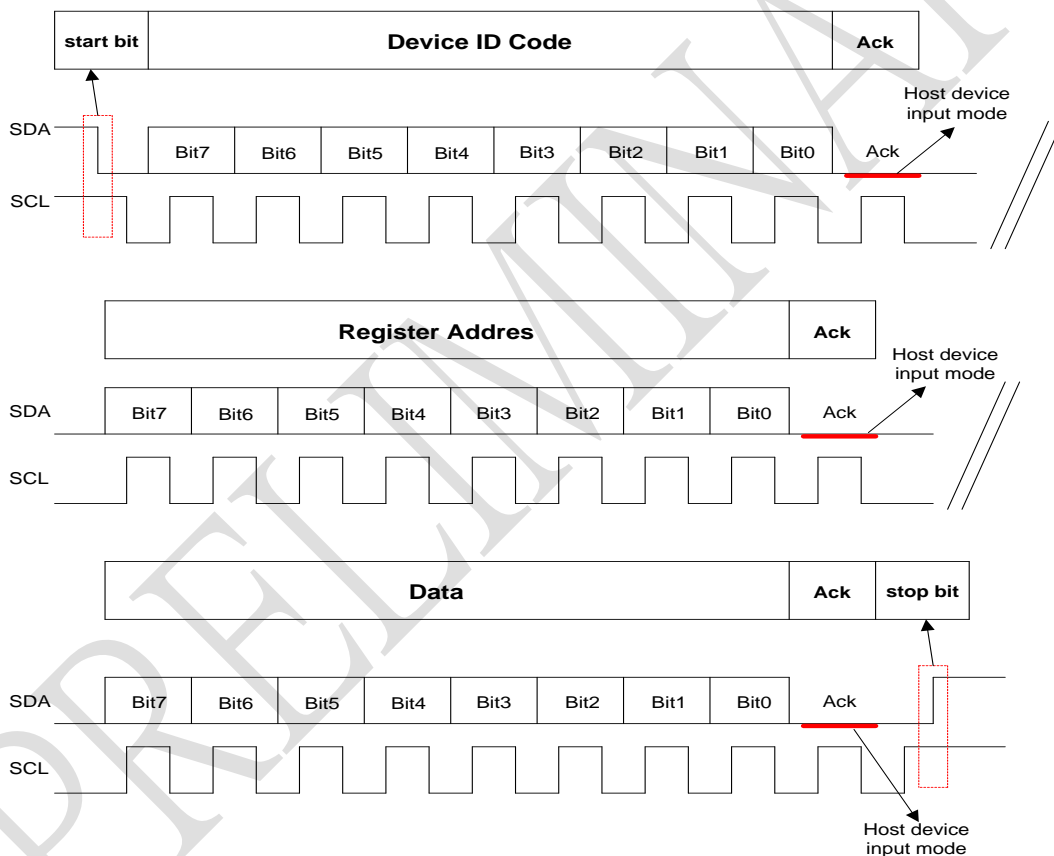
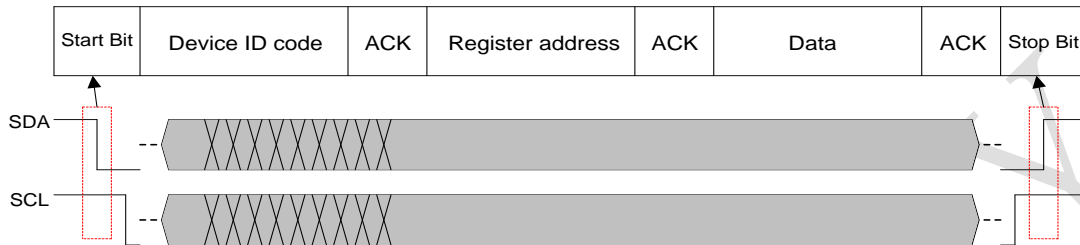
**Note:**

1. All control registers don't have initialize value after power on. Users need to initial all register manually.
2. \$xxH means address and represent in hexadecimal form.
3. "xxxxxxx" means 8-bits data of register and represent in binary form.
4. The "VPP" here means the most high pumped voltage, "VX5" means half VPP and "GND" means the most low voltage of system power.
5. Write by default value 00b.

## 6.4 Control Signal Waveform

### 6.4.1 Format of One Byte

This byte could be \$00H ~ \$15H, see 6.3 EPD driver control register.



Note: Timing diagram above is when SCL=500KHz

Device ID code :

ID code defined by (A0&A1) pins. See figure5 multi-driver application. Control signal input 8-bits "111100A1,A0" (A1,A0)=00,01,10,11 then only matched driver will operate.

Register address :

Address of control register from \$00H ~ \$15H. The control signal here follow Device ID code

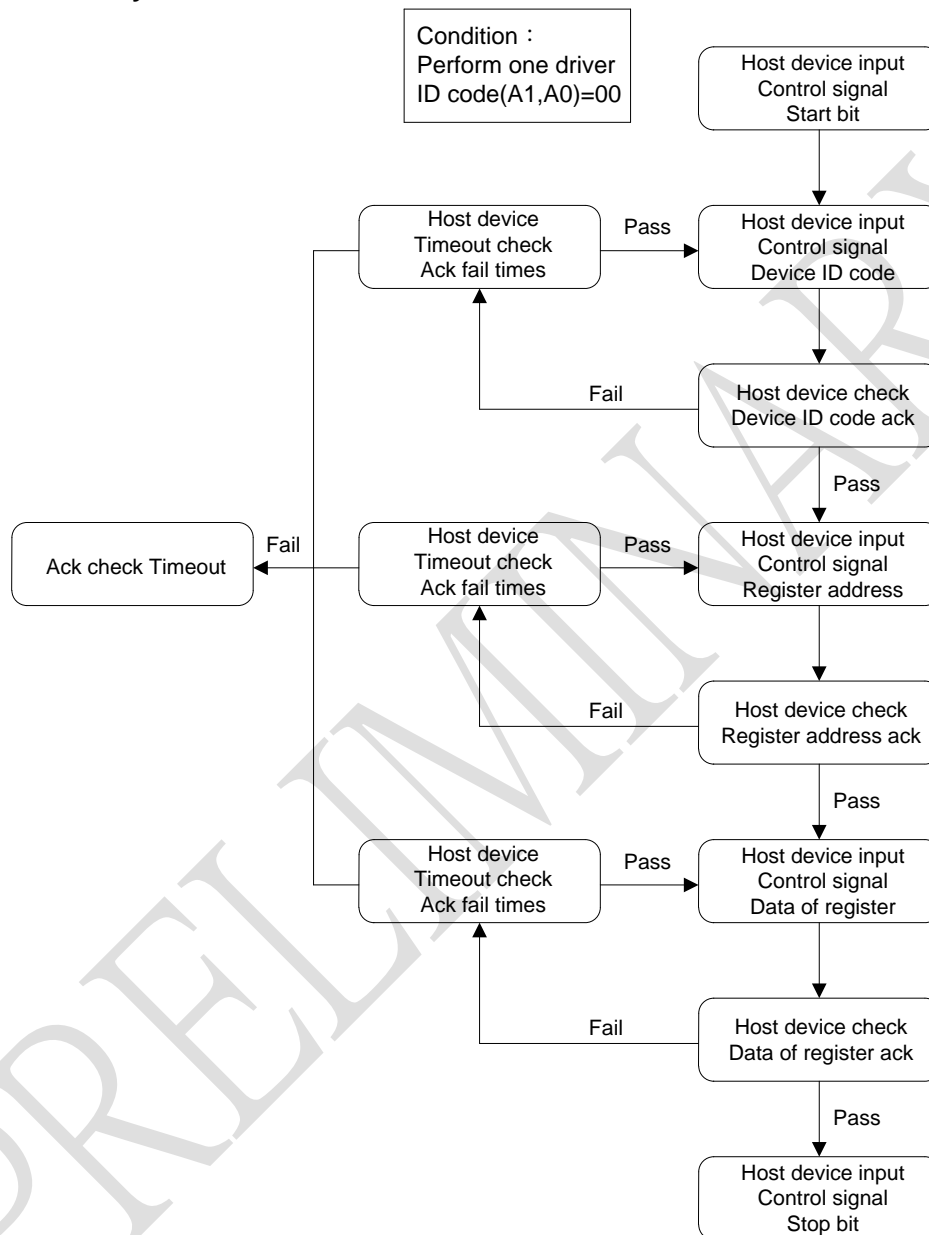
Data of register :

Definition of all control register see chapter 2.3 EPD driver control register.

## Condition setting

Perform with one driver IC and ID code (A1,A0)=00

## Operating flow of one byte



### Note :

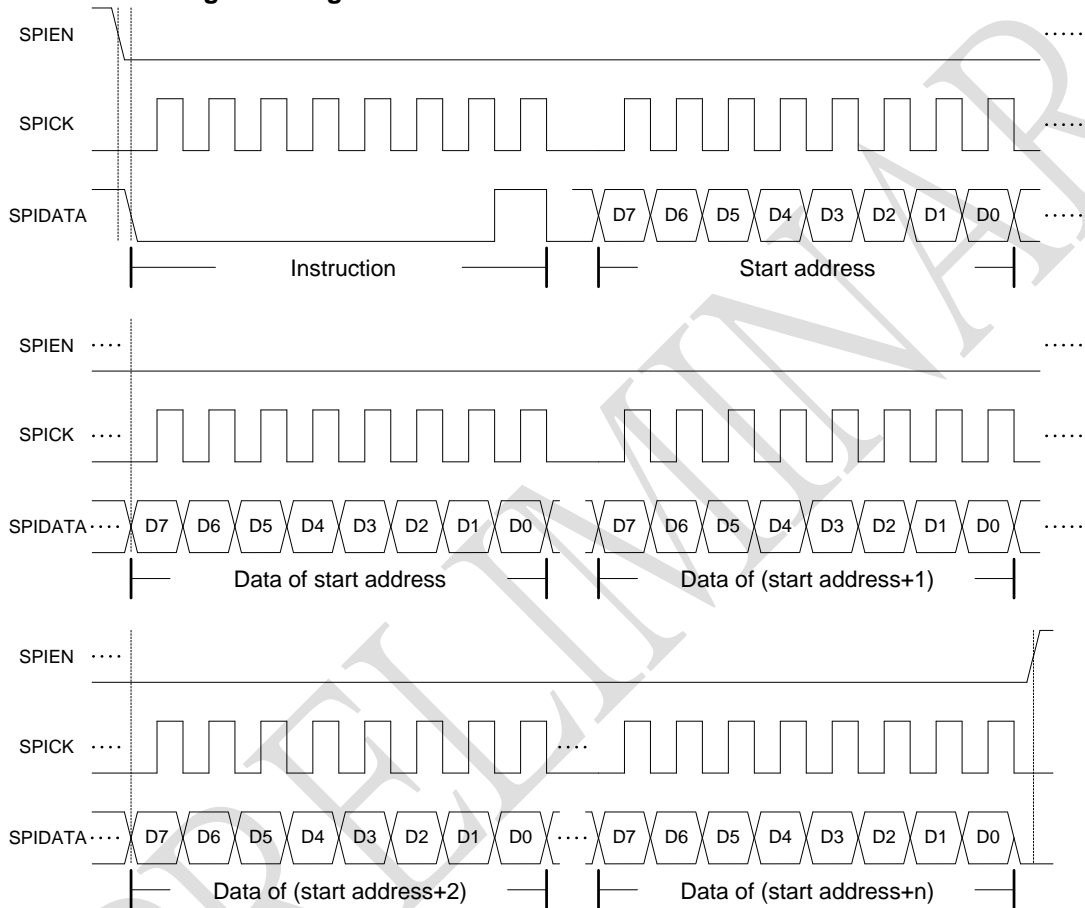
1. According to operating flow above, host device need set SDA to input mode at ACK feedback. Also check ACK feedback "Low" that means current byte transmission pass.
2. Each byte of control register has complete format as operating flow above. Following one-byte format to compose sequent transmission.
3. Operating flow above is only for reference. For actual situation, please refer to E-paper spec.

### 6.4.2 SPI Control Waveform

There are two format of controlled signal as below.

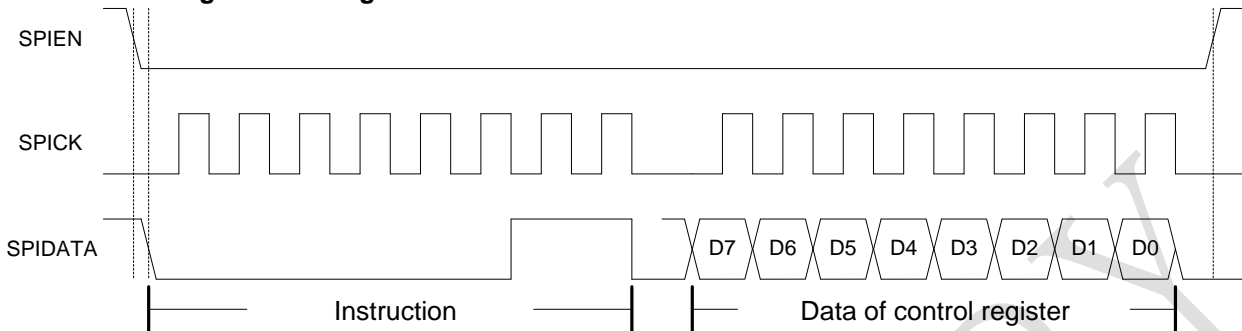
Instruction code	Function
00000001	Writing Data register
00000011	Writing control register

#### Format of Writing Data Register



1. SPIEN low active
2. SPIDATA input instruction [00000001] for writing data register
3. SPIDATA input start address (selectable from \$00H~\$0FH)
4. SPIDATA input the data of start address
5. SPIDATA input data of next address. For example, start address from \$00H → #FFH(contain of \$00H) → #02H (here is the contain of \$01H)....etc.
6. SPIEN high disable while data register writing finished.



**Format of Writing Control Register**


1. SPIEN low active
2. SPIDATA input instruction [00000011] for writing control register
3. SPIDATA input data of control register
4. SPIEN high disable after control register writing done.

Note :

1. ID code setting isn't needed in SPI mode.
2. Writing data register could be sequent, but control register is single.

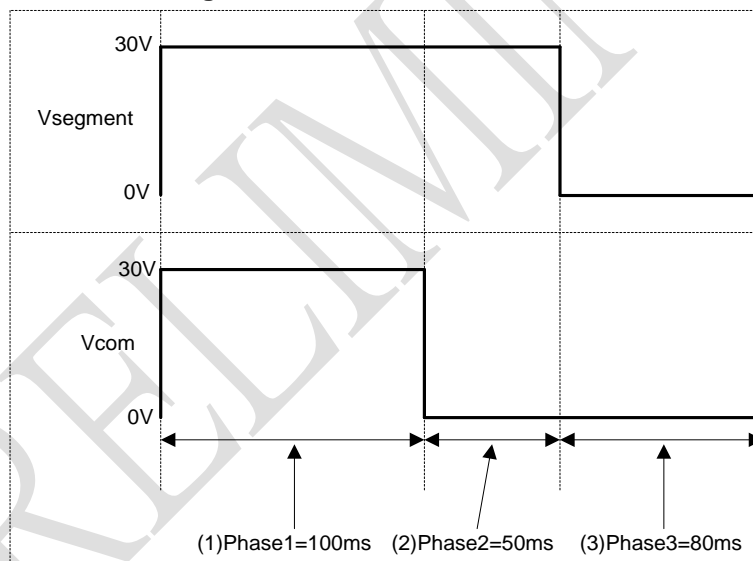
**6.4.3 Com & Segment vs. Control Signal**


Figure 9

**Condition1-1 : 2-wires serial mode (one driver)**

VDD=3V , use internal pump function , perform with one driver, pin LOGICEN = 1, ID code (A1,A0)=00  
 Register \$15H. bit5 VPP15=0 , bit6 PUMPH=0 → VPP=30V  
 Vsegment including Y1~Y160 , Vcom = Y161, Vbg = Y162

**Condition1-2 : SPI mode (one driver)**

VDD=3V , use internal pump function , perform with one driver, pin LOGICEN = 0  
 Register \$15H. bit5 VPP15=0 , bit6 PUMPH=0 → VPP=30V  
 Vsegment including Y1~Y160 , Vcom = Y161, Vbg = Y162

**Condition1-1 & 1-2 operate flow**

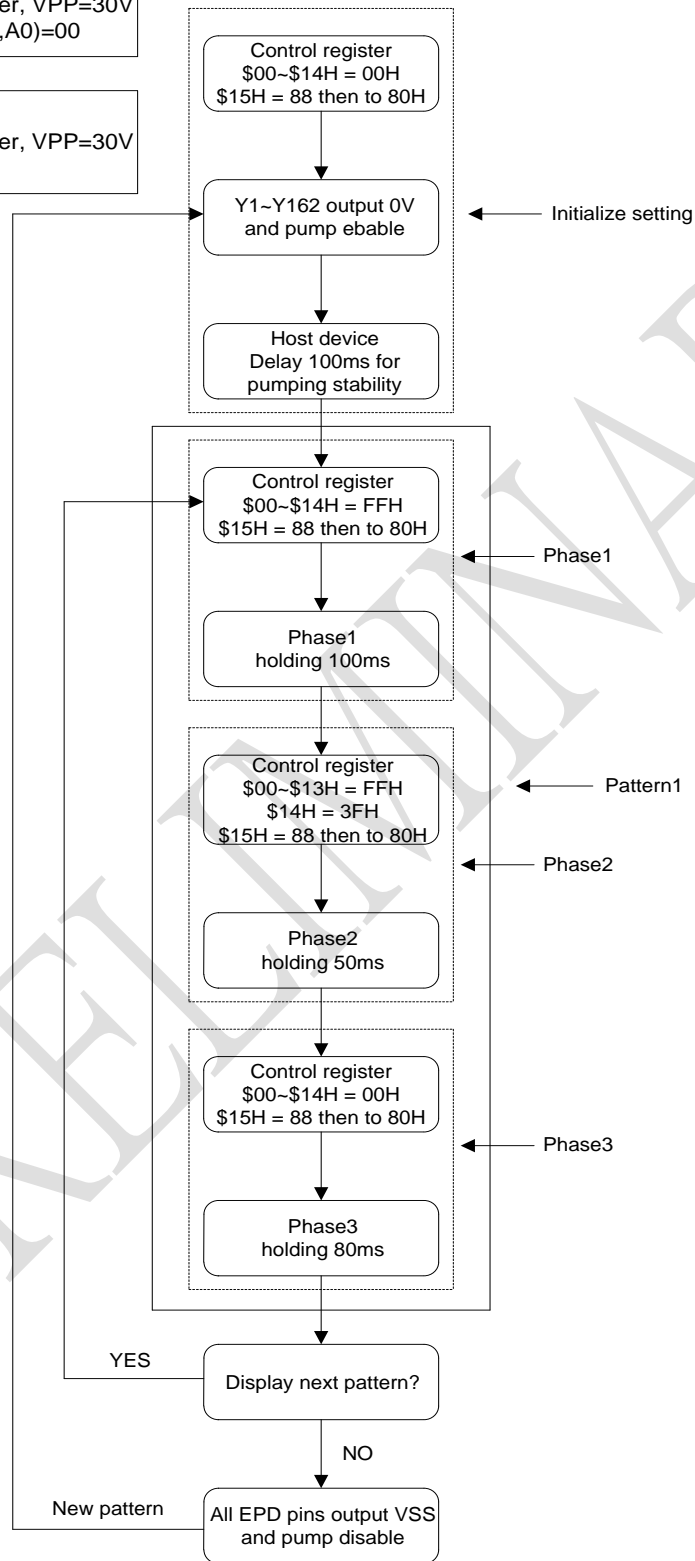
1. Control register \$00H~\$14H = "00000000b", \$15H = "10000000b". This step Y1~Y162 will load data from data register and output "0V" to all EPD pins simultaneously.  
After that \$15H = "10001000b" here will latch all EPD pins to "0V" and enable charge pump.  
Note! \$15H bit3 load = 1 → 0 will load all data to EPD pins and then latch output state.
2. Host device delay 100ms for internal pumping stability.
3. Control register \$00H~\$14H = "11111111b", \$15H = "10001000b".  
Then \$15H = "10000000b". Here all EPD pins will output VPP.
4. Host device delay 100ms to display phase1 pattern.
5. Control register \$00H~\$13H = "11111111b", \$14H = "00000000b", \$15H = "10001000b". Then \$15H = "10000000b". All segment will output VPP, but Y161~Y162 output "0V".
6. Host device delay 50ms to display phase2 pattern.
7. Control register \$00H~\$14H = "00000000b", \$15H = "10001000b".  
Then \$15H = "10000000b". All EPD pins will output "0V".
8. Host device delay 80ms to display phase3 pattern.
9. All EPD pins output "0V" and disable pump if there's no pattern will be display.

Note : \$xxH means address and represent in hexadecimal form.

"xxxxxxx" means 8-bits data and represent in binary form.

Condition1-1 : 2-wires serial mode  
 VDD=3V, perform one driver, VPP=30V  
 LOGICEN = 1, ID code(A1,A0)=00

Condition1-2 : SPI mode  
 VDD=3V, perform one driver, VPP=30V  
 LOGICEN = 0



**Condition2 : 2-wires serial mode (cascade four drivers)**

VDD=3V, perform with four drivers, one driver be the pumping source and others set up supply from external source, pin LOGICEN = 1

Register \$15H. bit5 VPP15=0, bit6 PUMPH=0 → VPP=30V

Vsegment including Y1~Y160, Vcom = Y161, Vbg = Y162

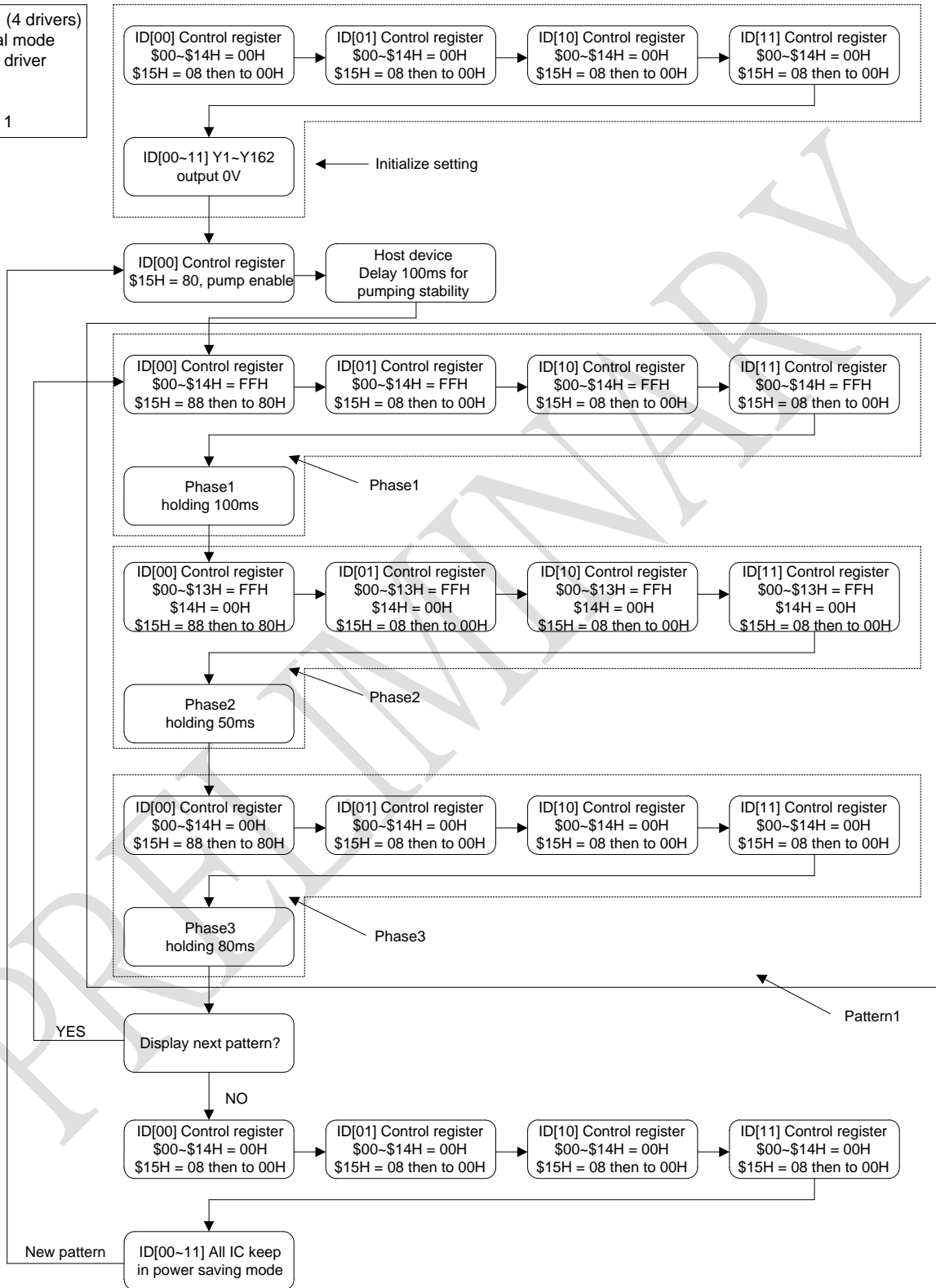
**Condition2 operate flow**

1. ID[00] Control register \$00H~\$14H = "00000000b", \$15H = "00001000b". This step Y1~Y162 will load data from data register and output "0V" to all EPD pins simultaneously.  
After that \$15H = "00000000b" here will latch all EPD pins to "0V".  
Note! \$15H bit3 load = 1 → 0 will load all data to EPD pins and then latch output state.
2. ID[01~11] follow step1 to initialize all EPD pins to output "0V"
3. ID[00] register \$15H = "10000000b" to enable charge pump and take ID[00] as pumping source others IC set up supply from external source.
4. Host device delay 100ms for internal pumping stability.
5. ID[00~11] Control register \$00H~\$14H = "11111111b", \*ID[00] \$15H = "10001000b", ID[01~11] \$15H = "00001000b". Then ID[00] \$15H = "10000000b", ID[01~11] \$15H = "00000000b". Here all EPD pins will output VPP.
6. Host device delay 100ms to display phase1 pattern.
7. ID[00~11] Control register \$00H~\$13H = "11111111b", \$14H = "00000000b", \*ID[00] \$15H = "10001000b", ID[01~11] \$15H = "00001000b". Then ID[00] \$15H = "10000000b", ID[01~11] \$15H = "00000000b". All segment and background will output VPP, but Y161 output "0V".
8. Host device delay 50ms to display phase2 pattern.
9. ID[00~11] Control register \$00H~\$14H = "00000000b", \*ID[00] \$15H = "10001000b", ID[01~11] \$15H = "00001000b". Then ID[00] \$15H = "10000000b", ID[01~11] \$15H = "00000000b". All EPD pins will output "0V".
10. Host device delay 80ms to display phase3 pattern.
11. All EPD pins output "0V" and disable pump if there's no pattern will be display.

Note : \$xxH means address and represent in hexadecimal form.

"xxxxxxxxb" means 8-bits data and represent in binary form.

Condition 2 : (4 drivers)  
 2-wires serial mode  
 perform one driver  
 VDD=3V  
 VPP=30V  
 LOGICEN = 1



## 7 Operating Rating

Description	Symbol	Value			Unit
		Min	Typ	Max	
Working voltage	VDD	2.2	3	5.5	V
Driver supply voltage	Vdrv		30	32	V
Ripple	Vrip		200		mV
Hi-V1	Vpp15		15V		V, (load =15M ohm)
Hi-V2	Vpp30		30V		V, (load =15M ohm)
Stop mode current	Istop		0.1		uA
Pumping enable current	Icpn		350		uA
Input high voltage	VIH		0.8*VDD		V
Input low voltage	VIL		0.2*VDD		V
2wir speed (SCL&SDA) *(1)	F <sub>I2C</sub>			1M	Hz
2wir load capacitance *(1)	C <sub>I2C</sub>		15		pF
SPI speed	F <sub>SPI</sub>			1M	Hz
SPI load capacitance	C <sub>SPI</sub>		15		pF

Note : \*(1) 2wir represent SCL & SDA pins · SPI represent SPICK & SPIDATA

## 8 Absolute Maximum Ratings

Symbol	Description	Rating	Unit
Vdd	Supply Voltage	-0.5 ~ +3.6	V
Vin	Input Voltage	-0.5 ~ VDD +0.5	V
Vout	Output Voltage	-0.5 ~ VDD +0.5	V
Topr	Operation Temperature	0 ~ 70	°C
Tstg	Storage Temperature	-40 ~ 125	°C

## 10 Ordering Information

Part Number	Pin Count	Package
DM130160W	-	Wafer (Pb-Free)
DM130160WB	-	Wafer + Gold bump (Pb-Free)
DM130160	186	Dice (Pb-Free)
DM130160B	186	Dice + Gold bump (Pb-Free)
DM130160C	239	COF (Roll) (Pb-Free)
DM130160P	239	COF (Tray) (Pb-Free)

### Disclaimer

The information appearing in this publication is believed to be accurate. Integrated circuits sold by DAVICOM Semiconductor are covered by the warranty and patent indemnification provisions stipulated in the terms of sale only. DAVICOM makes no warranty, express, statutory, implied or by description regarding the information in this publication or regarding the information in this publication or regarding the freedom of the described chip(s) from patent infringement. FURTHER, DAVICOM MAKES NO WARRANTY OF MERCHANTABILITY OR FITNESS FOR ANY PURPOSE. DAVICOM reserves the right to halt production or alter the specifications and prices at any time without notice. Accordingly, the reader is cautioned to verify that the data sheets and other information in this publication are current before placing orders. Products described herein are intended for use in normal commercial applications. Applications involving unusual environmental or reliability requirements, e.g. military equipment or medical life support equipment, are specifically not recommended without additional processing by DAVICOM for such applications.

### Contact Windows

For additional information about DAVICOM products, contact the Sales department at:

#### Headquarters

##### Hsin-chu Office:

No.6, Li-Hsin 6th Rd.,  
Hsinchu Science Park,  
Hsin-chu City 300, Taiwan, R.O.C.  
TEL: +886-3-5798797  
FAX: +886-3-5646929  
MAIL: [sales@davicom.com.tw](mailto:sales@davicom.com.tw)  
HTTP: <http://www.davicom.com.tw>

Please note that application circuits illustrated in this document are for reference purposes only.

DAVICOM's terms and conditions printed on the order acknowledgment govern all sales by DAVICOM. DAVICOM will not be bound by any terms inconsistent with these unless DAVICOM agrees otherwise in writing. Acceptance of the buyer's orders shall be based on these terms.

### Company Overview

DAVICOM Semiconductor Inc. develops and manufactures integrated circuits for integration into data communication products. Our mission is to design and produce IC products that are the industry's best value for Data, Audio, Video, and Internet/Intranet applications. To achieve this goal, we have built an organization that is able to develop chipsets in response to the evolving technology requirements of our customers while still delivering products that meet their cost requirements.

### Products

We offer only products that satisfy high performance requirements and which are compatible with major hardware and software standards. Our currently available and soon to be released products are based on our proprietary designs and deliver high quality, high performance chipsets that comply with modem communication standards and Ethernet networking standards. **For customized products, please contact to Davicom's sales**

### WARNING

Conditions beyond those listed for the absolute maximum rating may destroy or damage the products. In addition, conditions for sustained periods at near the limits of the operating ranges will stress and may temporarily (or permanently) affect and damage structure, performance and function.